

H-FRAME - 100 TONS

PRESSES

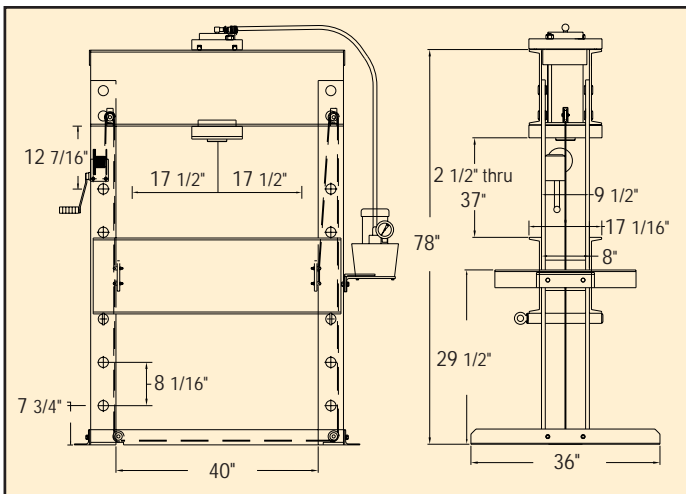
Simplex Presses Enhance Safety In High Force Pressing.



- Moveable work head for maximum versatility.
- Large daylight with open sides for easy loading.
- Heavy duty construction.
- Rigid frame under full load.
- Adjustable work bed with friction brake winch.
- Wide choice of pumps & pressing cylinders.
- Choose double-acting presses for fast retraction.
- Includes tonnage gauge.
- IED & IES Series comes with pendant control.



A machine shop needed to straighten forgings prior to machining. "We needed a pressing force of 100 tons and we didn't want to cut corners when it came to safety. Simplex presses do not rely on "bolt together" construction. Heavy duty pins, plus strong, welded construction across the upper bolster, puts the strength where it needs to be."



Pump Mounting Kit
 For Power Pumps: Model IM3
 See Page 90

Cylinder Mounting Kit
 Single-Acting: Model MC100
 Double-Acting: Model MCD100
 Included with press.
 See Page 90

100 Ton H-Frame Press

Model Number Without Pump	Model Number With Pump	Type of Cylinder	Cylinder Stroke (in)	Type of Pump	Pump Model	Operation	Speed (in/min)		Weight With Pump (lbs)	Weight Without Pump (lbs)
							Advance	Pressing		
IS1006	IES1006	R1006 S/A	6	Electric Powered	PES4032	Advance	19	2 3/4	1558	1470
IS10010	IES10010	R10010 S/A	10							
ID1006	IED1006	RDA1006 D/A	6		PES4042	Hold	19	2 3/4	1620	1532
ID10012	IED10012	RDA10012 D/A	12							

■ Custom Build Your Press by ordering models without pumps. For foot or pendant control, higher pressing speeds or optional pump motors order separately the Simplex pump and pump mounting kit that meet your requirements, and you're ready for operation.