

# H-FRAME BENCH 10 & 15 TONS

# PRESSES

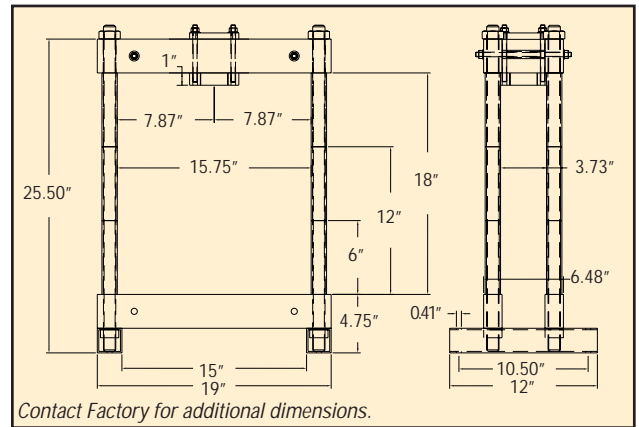
Only Simplex offers Bench Presses with up to 15 ton capacities, moveable work heads and adjustable beds for maximum flexibility. For small production jobs, the adjustable bed eliminates wasted time approaching the work. IPB1010 & IPB1510 presses include a 10" stroke cylinder.

Model Number w/Cyl.	Cap. (tons)	Type	Ram	Stroke (in.)	Model Number w/o Cyl.	Weight (lbs)
IBP1010	10	S/A	R1010	10	IPB10	142
IBP1510	15		R1510	10	IPB15	150

- 10 or 15 ton capacities.
- Adjustable bed.
- Moveable work head.
- Wide variety of power sources.
- Large daylight.
- Heavy duty construction.

### Ordered Separately

Capacity (tons)	Suggested Hand Pump	Suggested Electric Pump	Suggested Hose	Suggested Gauge	Gauge Adaptor	Weight (lbs)
10 ton	P42	PEM2031	HC6	G6	GA1	130
15 ton						



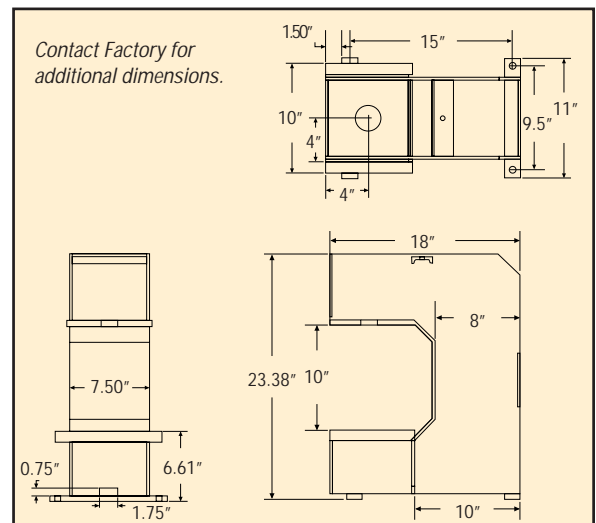
# C-FRAME 5 & 10 TONS

The IPC5 & IPC10 Series hydraulic presses provide up to 5 or 10 ton capacities. Choose from a wide range of electric or air hydraulic power sources.

All models incorporate an open throat design that makes loading and unloading larger jobs fast and easy.



Model Number	Type of C-Frame	Capacity (tons)	Stroke (in)	Weight (lbs)
IPC5	R59 Cylinder Only	5	9	103
IPC10	R1010 Cylinder Only	10	10	110



- Strong welded construction.
- Open throat design for easy loading.
- Mounting holes for solid bench mounting.
- Available with air, electric or manual power sources.