



TECHNICAL SERVICES BULLETIN

Bulletin No. GN052504	Revision B	Classification <input checked="" type="checkbox"/> Internal <input checked="" type="checkbox"/> External	Date 11/28/2005	Page 1 of 1
Subject: Date Code information			Time Required	
Product Affected: HYDRAULIC / MECHANICAL			<input type="checkbox"/> 15 min <input type="checkbox"/> 30 min	
Model Number(s) Affected: ALL			<input type="checkbox"/> 45 min <input type="checkbox"/> 1 hr +	

Our present date code for product manufactured and packaged by Templeton, Kenly & Co., inc. consist of a letter representing the current year followed by the current week number for the year.

Example: for August 19, 2004 the date code is Z 34
 Z= 2004
 34 = current week number or 34th week of the year

To initiate date codes for 2005 and Z being the last letter of the alphabet we will continue with the same format, but with the following changes.

Addition to the letter we will add the last digit of the year.
 Example for January 1, 2005 the date code will be as follows
 A5 01
 A, the first letter of the alphabet
 5, the current year (2005) 6 for 2006, 7 for 2007 and so on.....
 01, the first week of the year.

- A= January
- B= February
- C= etc.....
- 5= year 2005
- 6= 2006 etc....
- 43= week number (Oct. 17 through Oct 23) current

Example for today's date, the date code and serial number
 J= **October**
 05 = **Year 2005**
 42= **Week number in year**

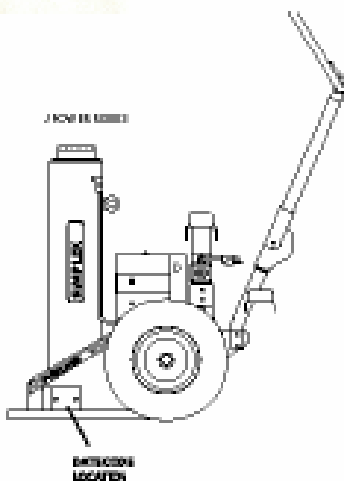
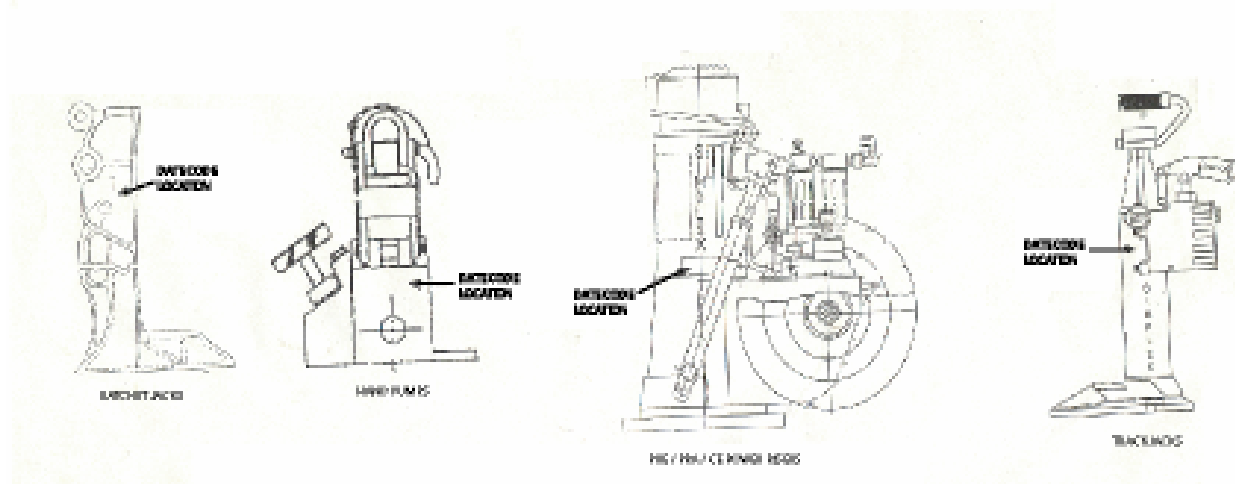
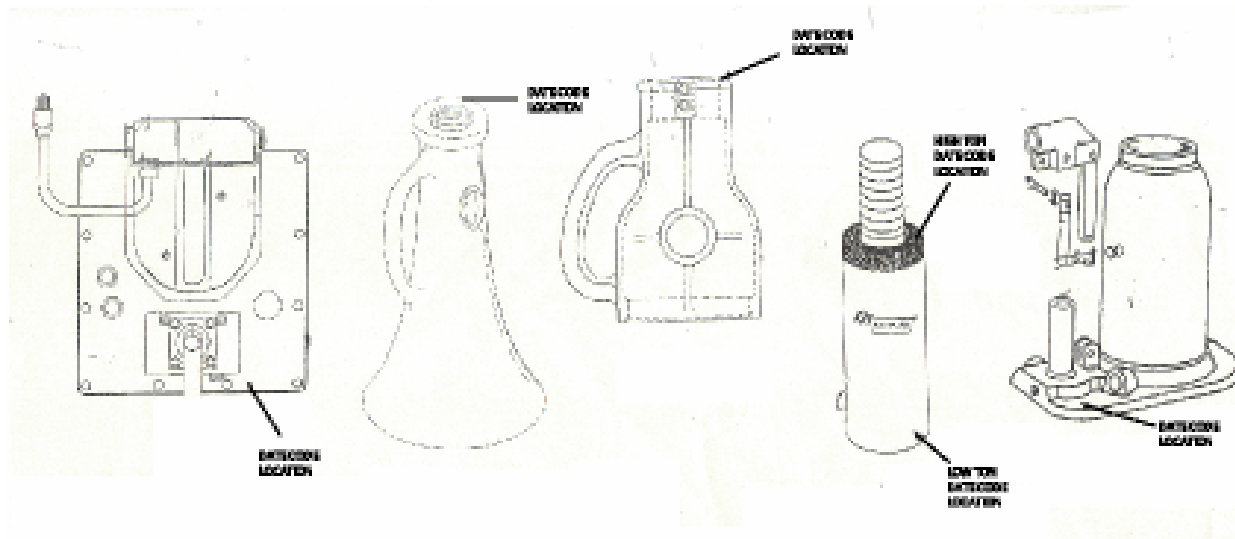
J 05 42
 A B C D E F G H I J K L
 1 2 3 4 5 6 7 8 9 10 11 12

For Power Pumps and Pow'r-Risers

Include the alpha digit (see table) after the week number in year with 2 additional digits for that pump number produced that day.

For example: Month Year Week Model Pump #
 J 05 42 A 01

ALPHA DIGIT	MODEL / SIZE
A	POWER BUDDY .5G
B	POWER BUDDY 1G
C 20	SERIES
D 30	SERIES
E 70	
F A	IR/GAS 40
G 40	
H 50	
I GA	S 50
J 60	
P	POWER RISER 1.5 HP 100 / 150 TON, OHIO / LESSON MOTOR
Q	POWER RISER 60/100 TON
R	POWER RISER 100/150 TON AIR OR 3 HP
V	POWER RISER 40 TON



FOR TECHNICAL SUPPORT AND ADDITIONAL INFORMATION CONTACT:
 SIMPLEX DIVISION OF TEMPLETON, KENLY & COMPANY INC.
 2525 GARDNER ROAD * BROADVIEW * ILLINOIS
 PHONE (800) 323-9114 * FAX (708) 865-0894 * WWW.TKSIMPLEX.COM