

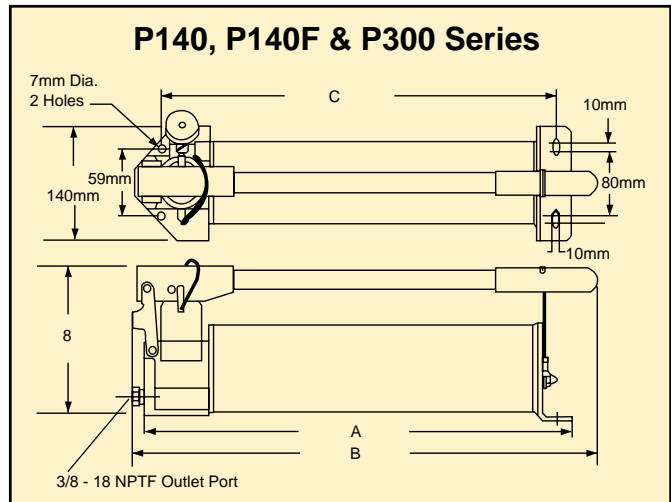
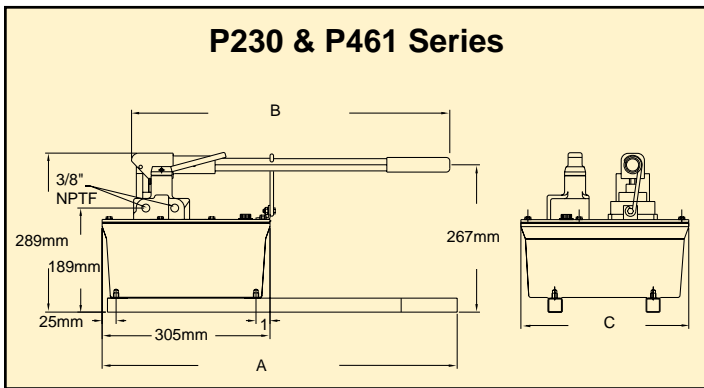
HAND PUMPS

HEAVY DUTY HAND PUMPS

Simplex Hand Pumps Set New Safety & Performance Standards.






- 10 Models.
- Low, back saving handle effort.
- High displacements of oil per stroke.
- Adjustable handle effort / dual pivot points.
- Heavy duty, all metal construction for durability.
- Handle latch for easy carrying.
- Large, easy fill reservoirs.
- External adjustable relief valves.



Two Speed Hand Pumps For Single & Double Acting Cylinders

Model Number	Type of Cyl.	Pressure Rating (bar)	Oil Volume Per Stroke (cm ³)	Usable Oil Capacity (cm ³)	A	B	C	Weight (kg)	
					(mm)	(mm)	(mm)		
P140	Single Acting	1 Stage 27,6	45,9	2950,2	630	692	592	11,8	
P300			3,9	4917	724	787	673	16,8	
P230		2 Stage 700	126,2	3769,7	645	578	229	22,3	
P461			3,9	2950,2			305		27,7
P140F	Double Acting	1 Stage 207	12,3	2950,2	630	692	592	12,3	
P140DF		2 Stage 700	3,9		749	800	592	14,1	
P140D		1 Stage 27,6	45,9	4917	749	800	592	13,6	
P300D			3,9		830	881	673	18,6	
P230D			2 Stage 700	126,2	3769,7	645	578	229	22,3
P461D				4,9				7539,4	

Simplex combined high flows and low handle efforts in these larger, high performance hand pumps. Low handle efforts and fast advance are achieved through an adjustable handle pivot. In the normal setting, these pumps supply maximum flow, reducing the number of required handle strokes. For tough jobs at maximum pressure, **adjust the pivot point and reduce the handle effort by 30%. (P140 and P300 Series only).**

		
Hydraulic Cylinders pgs. 10-27	Hoses pgs. 66-67	Accessories & Fittings pgs. 63-68

NO JOB IS TOO TOUGH FOR SIMPLEX HEAVY DUTY HAND PUMPS



When US recovery teams needed to dismantle and remove a downed US Navy EP-3 surveillance plane from Hainan Island, China, they used Simplex P140 hand pumps and 50 ton cylinders. "We had a short time frame to complete a large job; Simplex hand pumps and cylinders gave us the speed and power we needed to get the job done."