

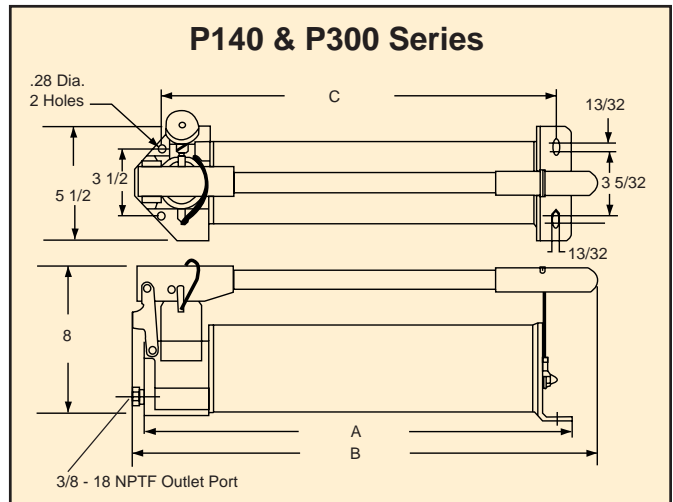
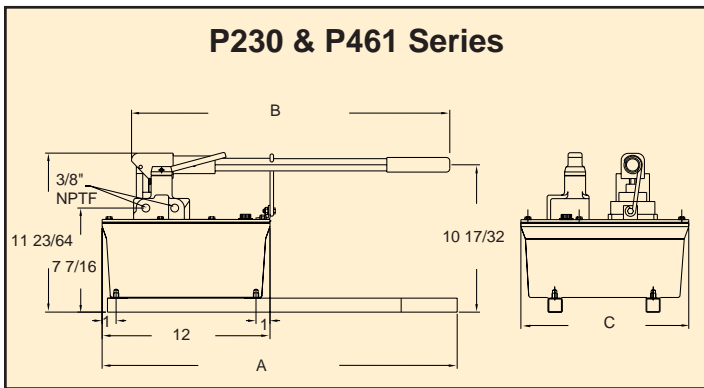
HAND PUMPS

HEAVY DUTY HAND PUMPS

Simplex Hand Pumps Set New Safety & Performance Standards.



- 8 Models.
- Low, back saving handle effort.
- High displacements of oil per stroke.
- Adjustable handle effort / dual pivot points.
- Heavy duty, all metal construction for durability.
- Handle latch for easy carrying.
- Large, easy fill reservoirs.
- External adjustable relief valves.



Two Speed Hand Pumps For Single & Double Acting Cylinders

Model Number	Type of Cyl.	Pressure Rating (PSI)	Oil Volume Per Stroke (cu in)	Usable Oil Capacity (cu in)				Weight (lbs)
					A (in)	B (in)	C (in)	
P140	Single Acting	1 Stage 400 2 Stage 10,000	2.8	180	24 13/16	27 1/4	23 5/16	26
P300			.24	300	28 1/2	31	26 1/2	37
P230			7.7	230	25 3/8	22 3/4	9	49
P461			.3	460		12	61	
P140D	Double Acting	1 Stage 400 2 Stage 10,000	2.8	180	29 1/2	31 1/2	23 5/16	30
P300D			.24	300	32 11/16	34 11/16	26 1/2	41
P230D			7.7	230	25 3/8	22 3/4	9	49
P461D			.3	460		12	61	