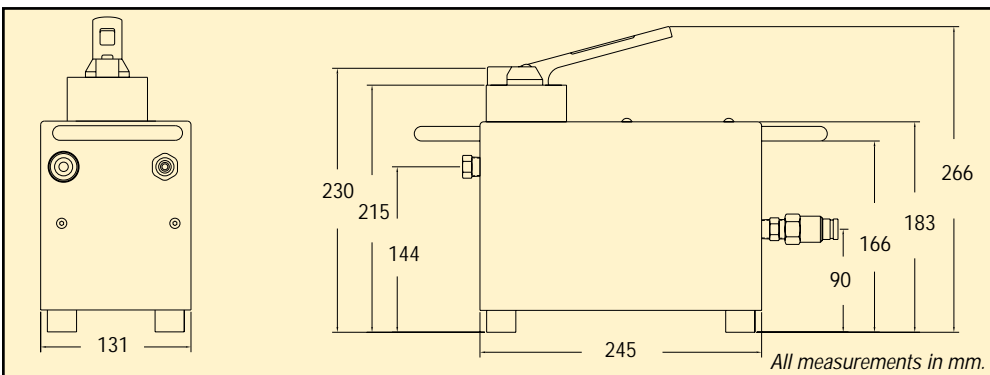




- Converts on board mobile hydraulic systems into high pressure (700 bar) power sources.
- Converts low pressure (138 bar) pumps into a high pressure (700 bar) power source.
- Ideal for utilities, railroads, construction, riggers.
- Operates single or double-acting cylinders and tools.
- Compact, easy to carry.
- No reservoir oil level to maintain; uses low pressure system as oil supply.
- 3/8" NPTF ports with quick disconnect couplers and integrated pressure gauge.
- Ideal for use in aerial buckets and utility applications.



Model Number	Valve		Input Flow Range (l/min.)	Input Pressure (bar)	Output Pressure Max. (bar)	Output Flow Range (l/min.)	Output Flow Ratio	Output Pressure Ratio	Weight (kg)
	Type	Function							
PI2	4 Way/3 Position	Advance/Hold/Retract	0 - 37,9	20,7 - 138	700	0 - 7,6	1:5	5:1	13,6
PI3	3 Way/3 Position								

Contact Factory for additional dimensions.