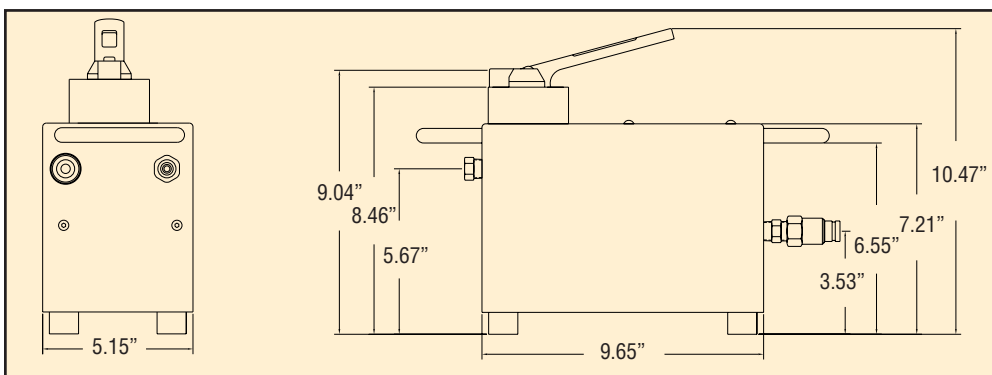




- Converts on board mobile hydraulic systems into high pressure (10,000 psi) power source.
- Converts low pressure (2,000 psi) pumps into a high pressure (10,000 psi) power source.
- Ideal for utilities, railroads, construction, riggers.
- Operates single or double-acting cylinders and tools.
- Compact, easy to carry.
- No reservoir oil level to maintain; uses low pressure system as oil supply.
- 3/8" NPTF ports with quick disconnect couplers.
- Integrated pressure gauge.
- Ideal for use in aerial buckets and utility applications.



Model Number	Valve		Input Flow Range (GPM)	Input Pressure (PSI)	Output Pressure Max. (PSI)	Output Flow Range (GPM)	Output Flow Ratio	Output Pressure Ratio	Weight (lbs)
	Type	Function							
PI2	4 Way/3 Position	Advance/Hold/Retract	2.5 - 10	300-2,000	1,500 - 10,000	.5 - 2	1:5	5:1	30
PI3	3 Way/3 Position								

Contact Factory for additional dimensions.