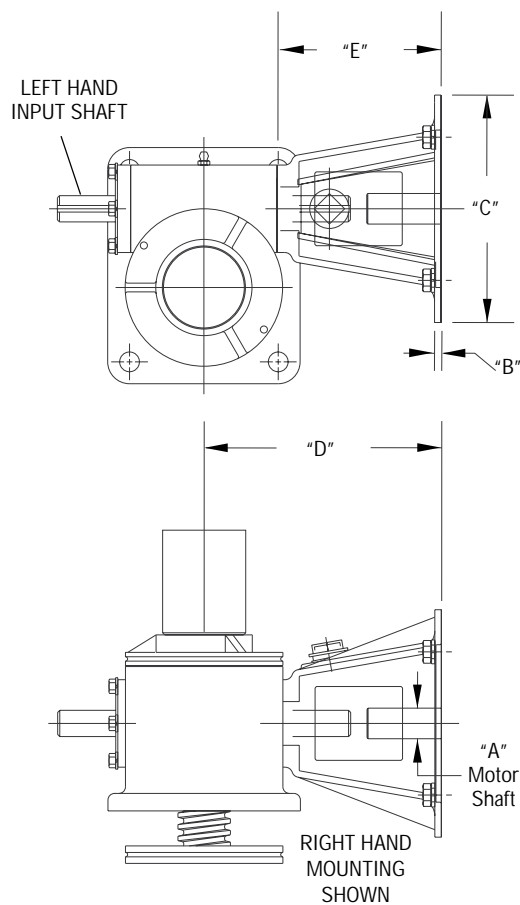


**MOTOR ADAPTORS**

- Available for 1 ton through 25 ton Uni-Lifts.
- Designed to NEMA C-Face Standards.
- Direct couple motor to left or right hand actuator input shaft.
- All hardware provided, including coupling.



Actuator	Kit Order Number	Motor Frame	"A"	"B"	"C"	"D"	"E" (Ref.)
J-1 B-1	2400177	56C	5/8	3/16	6 1/2	6 9/32	4 23/32
	2400178	143TC 145TC 182C 184C	7/8				
J-2	2400177	56C	5/8	3/16	6 1/2	6 13/16	4 23/32
	2400178	143TC 145TC 182C 184C	7/8				
J-5	2400179	56C	5/8	3/16	6 1/2	6 25/32	4 11/16
	2400180	143TC 145TC 182C 184C	7/8				
	2400181	182TC 184TC 213C 215C	1 1/8				
J-10	2400182	56C	5/8	3/16	6 1/2	7 3/8	4 15/16
	2400183	143TC 145TC 182C 184C	7/8				
	2400184	182TC 184TC 213C 215C	1 1/8				
J-20	2400186	56C	5/8	3/16	6 1/2	8 13/16	5 1/4
	2400187	143TC 145TC 182C 184C	7/8				
	2400188	182TC 184TC 213C 215C	1 1/8				
	2400189	213TC 215TC	1 3/8				
J-25	2400186	56C	5/8	3/16	6 1/2	8 13/32	5 1/4
	2400187	143TC 145TC 182C 184C	7/8				
	2400188	182TC 184TC 213C 215C	1 1/8				
	2400189	213TC 215TC	1 3/8				



**M & B SERIES MOTOR ADAPTOR DIMENSIONAL CHART**

Actuator	Kit Order Number	Motor Frame	A	C	D
M-2.5	B-2.5	56C	5/8	6 5/8	6 1/4
M-5	B-5	56C	5/8	6 5/8	7 1/4
M-10	B-10	184C	7/8	6 5/8	8 1/4
M-15		184C	7/8	6 5/8	8 1/4
M-20	B-20	182TC	1 1/4	9 1/4	9