

Simplex Pow'r-Risers Are The Ideal Choice for Railcar & Off-Road Equipment Jacking.



Simplex Pow'r-Risers™ are used to pick up the largest earth haulers in the world. "We use the Simplex jack due to its easy transport and the many optional extensions and lock rings that gives us the safe use required in mining operations."

**NEW!!
200 Ton
Version**



Model Number	Capacity (tons)	Min. Height (mm)	Stroke (mm)	Motor	Max. Additional Stack Ht. Using Optional Extension System	Control Valve	Power Source	Noise Level (Db)	Weight (kg)		
JA6024	60	610	356	Air	813mm*	Manual	Air Motor 50 CFM 80 PSI	89	177,3		
JA6037		940	686						272,7		
JE6024		610	356	Electric			230 VAC 50/60 Hz 20 amps	80	177,3		
JE6037		940	686						272,7		
JA10026	100	660	406	Air		533mm**	Manual	Air Motor 1,4 m³ 5,5 bar	89	231,8	
JA10037		940	686				Remote 6m Pend.			272,7	
JAS10026		660	406				Manual	230 VAC 50/60 Hz 20 amps	80	231,8	
JAS10037		940	686							272,7	
JE10026		660	406	Electric	Manual		230/460 VAC 3 Phase	80	231,8		
JE10037		940	686						272,7		
JEB10026		660	406		Manual		230/460 VAC 3 Phase	80	240,9		
JEB10037		940	686						281,8		
JAS15026		150	660	394	Air		533mm**	Remote 6m Pend.	Air Motor 1,4 m³ 5,5 bar	89	259,1
JAS15037			940	673				321,8			
JE15026	660		394	Manual	230 VAC 50/60 Hz 20 amps	80		259,1			
JE15037	940		673					321,8			
JEB15026	660		394					Manual	230/460 VAC 3 Phase	80	268,2
JEB15037	940		673								330,9
JAS20026	200		660	394	Air	Contact Factory		Remote 6m Pend.	Air Motor 1,4 m³ 5,5 bar	89	290,9
JAS20037			940	673				375,0			

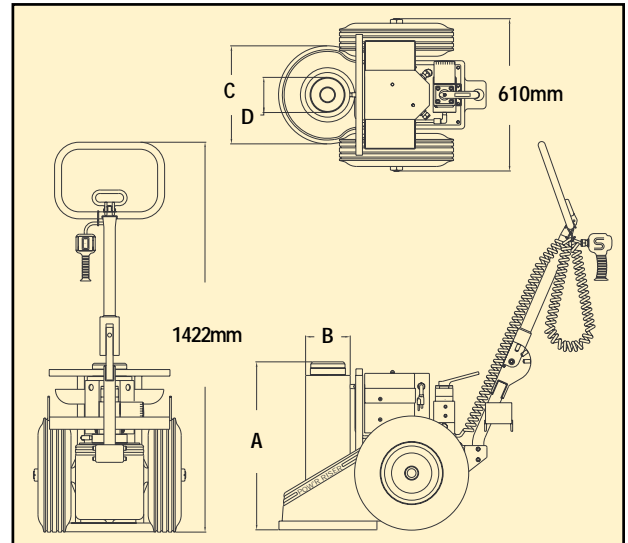
* Based on (1) 457mm and (1) 279mm extension and (1) 76mm spacer.

**Based on (1) 457mm extension and (1) 76mm spacer.

WARNING: Any two extensions may be stacked for loads up to 60 tons per jack. For loads from 60 tons to 150 tons only 1 extension and 1 spacer can be used.

NOTHING ELSE IS EASIER OR SAFER:

- 610mm, 660mm & 940mm Minimum Heights.
- 60, 100, 150 & 200 ton capacities to handle the toughest jobs.
- Sup'r-Stack™ extension system gives the jack a wide variety of minimum heights.
- 3 position handle for easy tilt back and rolling.
- 102mm of ground clearance for rough terrain.
- Mechanical lock rings for fail safe holding.
- Easy to change external filter minimizes down time.
- Only 610mm wide/fits in tight spots.
- Air pilot or 24 VAC pendant with 6 meter cord for remote operator safety.
- Dual hydraulic locking systems prevent creep down.
- Equipped with a pilot-operated check valve which locks the load in place to prevent accidental lowering.



Model Number	"A" (mm)	"B" (mm)	"C" (mm)	"D" (mm)
JE6024	610	162	356	102
JE6037	940	162	356	
JE10026	660	178	457	102
JE10037	940	178	457	
JE15026	660	203	457	127
JE15037	940	203	457	
JAS20026	660	254	457	152
JAS20037	940			

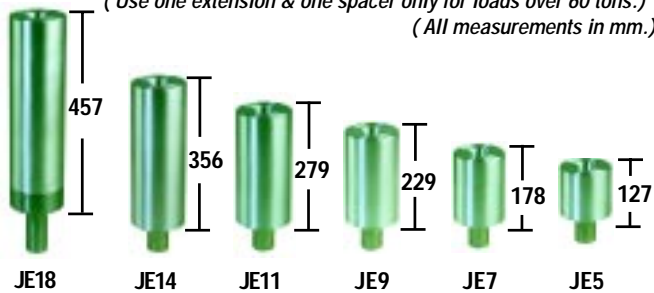


NOTHING ELSE COMES CLOSE:

- Rugged, fully enclosed frame; no exposed fittings or hoses.
- Runs on air or 115 or 230VAC, 15 amp service.
- Secondary back-up filtration system for reliability.
- Light weight for greater mobility and less back strain.
- Optional dual porting for use with remote cylinders.
- Automatically controlled, "chatter free" load lowering for maximum safety in descent.
- All Pow'r-Riser II™ models comply with ASME/ANSI B30.1 Specifications.

The Simplex Pow'r-Riser II, When Used With Sup'r-Stack™ Extension Set and Spacer Set, Can Handle All Rail Cars and Off-Road Equipment Without Blocking.

POW'R-RISER II® INDIVIDUAL SUP'R-STACK™ EXTENSIONS
(Use one extension & one spacer only for loads over 60 tons.)
(All measurements in mm.)



JE18 JE14 JE11 JE9 JE7 JE5

ES6024 Extension Set

Model Number	Description
JE5	127mm Extender
JE7	178mm Extender
JE11	279mm Extender
JE18	457mm Extender



Swivel Load Cap

Model Number	Description
JTS60	60 & 100 ton
JTS150	150 ton

Min. & Max. Height For Lifting Can Be Achieved By Using The Following Spacer/Extender Combination

Min. Height	25	26	27	29	30	31	32	33	34	35	36	37	38	40	42	43	44	45	47	48	49	50	51	52	53	54	55	56
Ext. Height	39	40	41	43	44	45	46	47	48	49	50	51	52	54	56	57	58	59	61	62	63	64	65	66	67	68	69	70
Spacer					+1		+1	+2	+3		+1	+2	+3	+5		+1	+2	+3	+5	+1	+7	+1	+2	+3	+11	+1	+2	+3
Drop-In Extender Combination	1	2	3	5	5	7	7	7	7	11	11	11	11	11	18	18	18	18	18	18	18	18	18	18	18	18	18	18

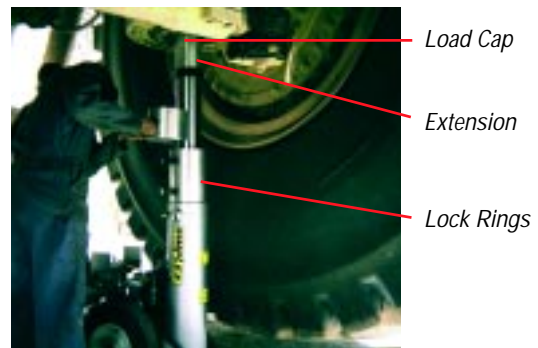
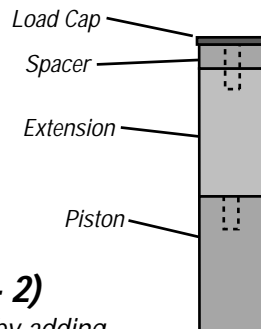
Use tallest extender on the bottom.

POW'R-RISER II® SPACER SET - JS4




JS-3 JS-2 JS-1 (Qty. - 2)

Fine tune your extension stack height by adding 25mm, 51mm or 76mm spacer.




60 & 100 Ton U-Rings



JU110 254mm JU14 140mm JU13 76mm JU11 25mm

150 Ton U-Rings



JU1510 254mm JU155 140mm JU153 76mm JU151 25mm

POW'R-RISER II® LOCKING U-RING SETS

Model Number	Models Used On	Contains
JUS126	60 Ton 610mm/100 Ton 660mm	(2) JU11 - 25mm, (1) JU13 - 76mm, (2) JU14 - 108mm"
JUS137	60 Ton/100 Ton 940mm	(2) JU11 - 25mm, (1) JU13 - 76mm, (2) JU14 - 108mm, (1) JU110 - 254mm
JUS1526	150 Ton 660mm	(2) JU151 - 25mm, (1) JU153 - 76mm, (2) JU155 - 140mm"
JUS1537	150 Ton 940mm	(2) JU151 - 25mm, (1) JU1510 - 254mm, (2) JU155 - 140mm
JUS20026	200 Ton 660mm	(2) JU201 - 25mm, (1) JU203 - 76mm, (2) JU205 - 140mm
JUS20037	200 Ton 940mm	(2) JU201 - 25mm, (1) JU2010 - 254mm, (2) JU205 - 140mm"