

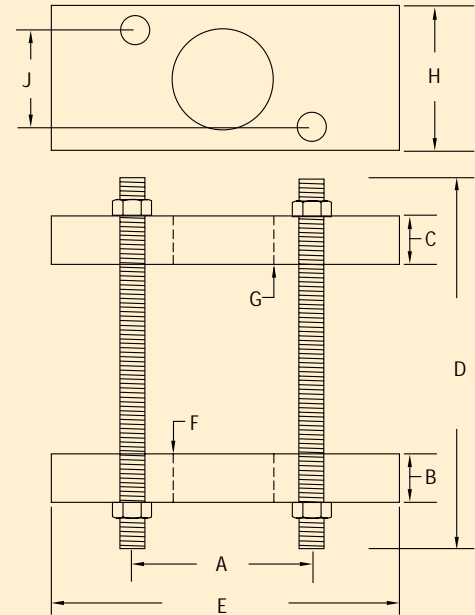
CYLINDER MOUNTING BLOCK KITS

Cylinder Mounting Block Kit	Presses Used On	A (in)	B (in)	C (in)	D (in)	E (in)	F Thrds. UN-2B (in)	G (in)	H (in)	J (in)
MC25	25 Ton Single Acting	5	1 1/2	1	12	10 3/4	3 5/16 x 12	3 1/2	6	*
MCD30	30 Ton Double Acting	5	1 1/2	1	12	10 3/4	3 5/16 x 12	4 1/8	6	*
MC55	55 Ton SA & DA	5	2	1 1/4	16	13 1/4	5 x 12	5 1/4	10	5
MC100	100 Ton Single Acting	7 21/32	2 1/2	2	21	16 1/2	6 1/4 x 12	7 1/4	10	6
MCD100	100 Ton Double Acting	7 21/32	2 1/2	2	21	16 1/2	7 x 12	7 1/4	10	6

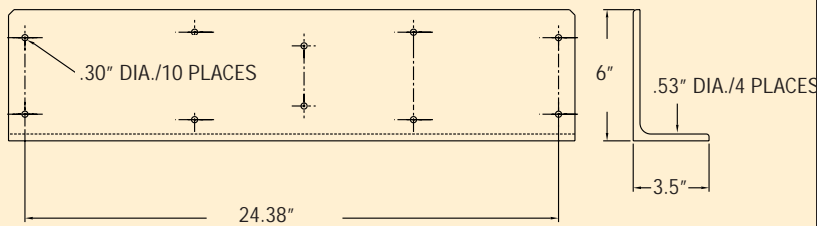
*Inline on center

Cylinder Block Kits Contain:

- (1) Top and bottom plate
- (2) Threaded Rods
- (2) Adjusting Nuts

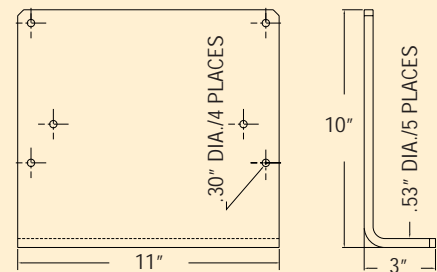


IM2 HAND PUMP MOUNTING KIT



All mounting hardware is included.

IM3 POWER PUMP MOUNTING KIT



All mounting hardware is included.
Fits all 2 gallon & 10 Series 1 gallon reservoirs.