

HYDRAULIC TOOLS

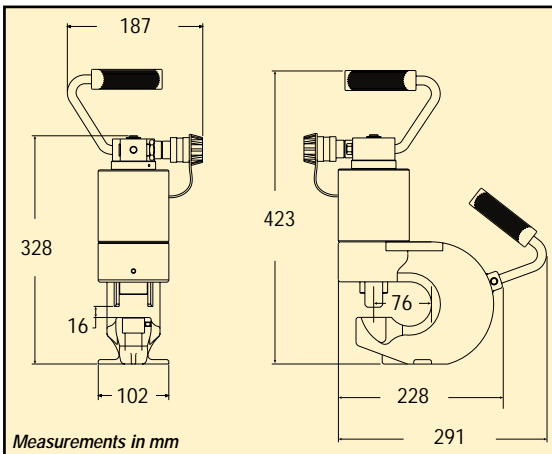
35 TON SINGLE-ACTING PUNCH



- Coupling port rotates 360° for work in tight areas.
- Punches 13mm hole through mild steel.
- Round, square & oblong punch & die sets available.
- Uses competitive interchangeable punches & dies.
- Mounting holes for production punching.
- 10% lighter than other portable punches.
- Punch mounted motor control for safety.
- Ergonomic two handle design provides better balance and control.



Only Simplex offers 360° rotating port and a pump mounted motor control, so that work can be performed in tight areas safely and more productively as shown in this small fabricating shop.



Model Number	Punch	Punch & Die Set	Pump	Hose	Weight Punch Only (lbs./kg)
SPH35		----	----	----	32/14.5
SPH35S		Standard Set	----	----	
SPH35SP	SPH35	DS-44, DS-56, DS-69, DS-81	SPH1001	HC6	
SPH35M		Metric Set	----	----	
SPH35MP		DS-38, DS-44, DS-53, DS-69	SPH1001	HC6	

Contact Factory for additional dimensions.

Punch and Die Type	Standard Punch Model#	Standard Die Model #	Standard Punch & Die Set	Bevel Punch & Die Set for I-Beams	Bevel Punch & Die Set for U-Beams	Hole Size (in./mm)	Bolt Size (in./mm)	*Maximum Metal Thickness To Be Punched (mm)										
								A	B	C	D	E	F	G	H	I	J	K
Round	DP-31	DD-31	DS-31	DSB-31	---	.31/7.9	1/4/---	8	8	6	6	6	6	3	5	6	6	6
Round	DP-38	DD-38	DS-38	DSB-38	---	.38/9.5	5/16/M8	10	10	8	8	8	8	5	6	8	8	8
Round	DP-44	DD-44	DS-44	DSB-44	DSBU-44	.44/11.1	3/8/M10	11	11	10	10	10	8	5	8	8	8	8
Round	DP-53	DD-53	DS-53	DSB-53	DSBU-53	.53/13.5	7/16/M12	13	13	11	11	11	10	6	8	10	10	10
Round	DP-56	DD-56	DS-56	DSB-56	---	.56/14.3	1/2/---	13	13	13	11	13	11	6	10	11	11	11
Round	DP-69	DD-69	DS-69	DSB-69	DSBU-69	.69/17.5	5/8/M16	13	13	13	11	13	10	6	8	10	10	10
Round	DP-78	DD-78	DS-78	---	---	.78/19.8	---/M18	13	13	13	11	13	10	6	8	10	10	10
Round	DP-81	DD-81	DS-81	---	---	.81/20.6	3/4/---	13	13	13	11	13	8	5	8	8	8	8
Square	DP-45	DD-45	DS-45	---	---	.31/7.9	1/4/---	8	8	6	6	6	6	3	5	6	6	6
Square	DP-54	DD-54	DS-54	---	---	.38/9.5	5/16/M8	10	10	8	8	8	8	5	6	8	8	8
Square	DP-63	DD-63	DS-63	---	---	.44/11.1	3/8/M10	11	11	10	10	10	8	5	8	8	8	8
Square	DP-72	DD-72	DS-72	---	---	.50/12.7	7/16/M12	13	13	11	11	11	10	6	8	10	10	8
Oblong	DP-10	DD-10	DS-10	---	---	.31 x .75/7.9 x 19	1/4/---	8	8	6	6	6	6	3	5	6	6	6
Oblong	DP-12	DD-12	DS-12	---	---	.38 x .75/9.5 x 19	3/16/M8	10	10	8	8	8	8	5	6	8	8	8
Oblong	DP-18	DD-18	DS-18	---	---	.44 x .75/11.1 x 19	3/8/M10	11	11	10	10	10	8	5	8	8	8	8
Oblong	DP-25	DD-25	DS-25	---	---	.50 x .75/12.7 x 19	7/16/M12	13	13	11	11	11	10	6	8	10	10	10

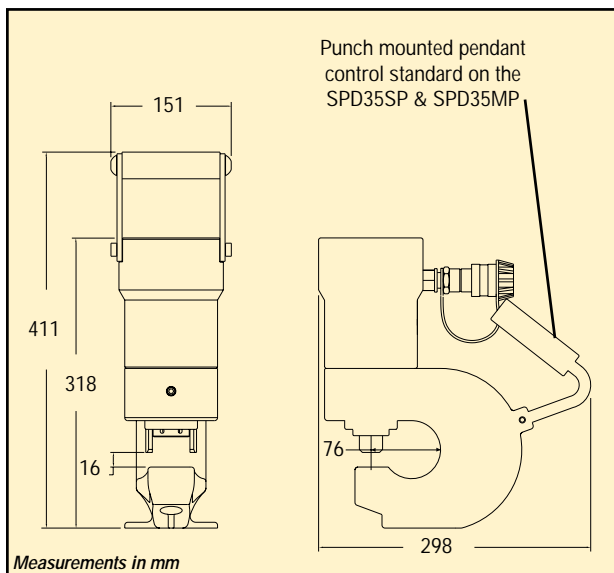
*QUALITY OF STEEL REFERENCE TABLE ABOVE

A: Mild A-7	E: Cold Rolled C-1018	I: Stainless Annealed
B: Boiler Plate	F: Hot Rolled C1050	J: Stainless 304 Hot Rolled
C: Structural A-36	G: Hot Rolled C-1095	K: Stainless 316 Cold Rolled
D: Struct Corten (ASTM A242)	H: Hot Rolled C-1095 Annealed	

35 TON DOUBLE-ACTING PUNCH



The Simplex double acting punch provides the best of both worlds. Portable, light weight and easy to carry, this punch is ideal for work at the job site. The double acting design allows for fast high cycle and **hang-up-free stripping and punching**. The optional SPD2041 power pump has one touch hand held control. Just press and hold the advance button on the remote pendant switch to punch the hole, release the button and the punch retracts and strips automatically. The pendant can be mounted to the punch for complete control.



- Light weight, portable punch.
- Double-acting for faster cycle time.
- Hydraulic return for positive, hang-up-free stripping.
- Punch mounted pump control for easy operation.
- Integrated mounting feet for bench top production.
- Uses industry standard punches and dies.
- Ergonomic two handle design provides better balance and control.

Model Number	Punch	Punch & Die Set	Pump	Hose	Weight Punch Only (lbs./kg)
SPD35		----	----	----	32/14.5
SPD35S		Standard Set	----	----	
SPD35SP	SPD35	DS-44, DS-56, DS-69, DS-81	SPD2041	HC6	
SPD35M		Metric Set	----	----	
SPD35MP		DS-38, DS-44, DS-53, DS-69	SPD2041	HC6	

Contact Factory for additional dimensions.