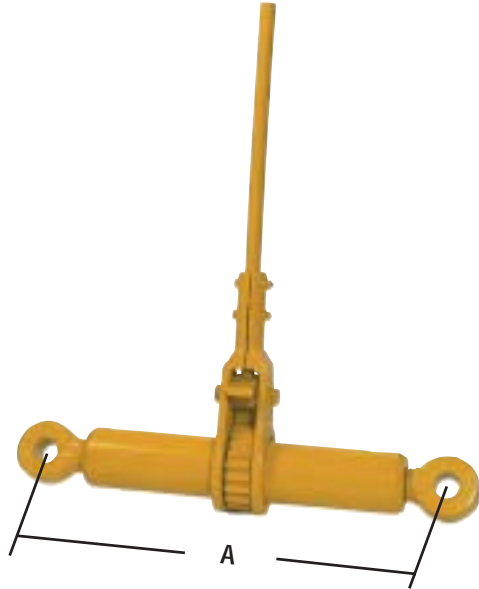


PUSH/PULL JACKS

MECHANICAL JACKS



SIMPLEX STEAMBOAT JACK

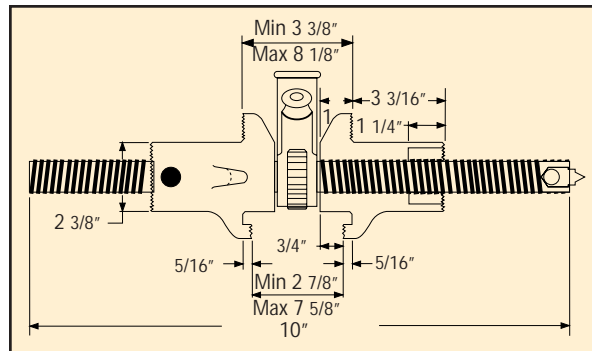
These 20 ton capacity models are used for connecting river barges, pulling forms and steel plates together and other applications in bridge construction and concrete and steel engineering projects. Units are equipped with spring activated pawls and 26" long attached handles. The handle effort per ton is 16 lbs. The I.D. of the eye is 1 5/16". Depth of eye is 1 7/8".

Model Number	Dim. "A" (in)	Travel (in)	Barrel Length (in)	Screw Dia. (in)	Weight (lbs)
ER-10	23	14	18	2	57
ER-20	29	20	24		66
ER-30	35	26	30		74
ER-40	47	38	42		92

SIMPLEX 610 PUSH/PULL JACK

The model 610 is used for pushing or pulling, holding & more; **ideal for weld shops.**

For added versatility, the end nuts are designed to permit the use of chains with eye hooks. Steel lever bar is ordered separately.



SIMPLEX 610-15 RATCHET SCREW ASSEMBLY

The ratchet screw assembly may be custom adapted to almost any push/pull application such as adjusting forms, fixtures, doors, flues, and dampers. Incorporates 1 1/4-6 Acme class 2G, right and left hand thread.

Model Number	Centered Capacity (tons)	Hook/Toe Offset Load Capacity (tons)	Travel (in)	Handle Effort Per Ton (lbs)	Screw Dia. (in)	Length (in)	Weight (lbs)	Steel Lever Bars			
								Order Number	Length (in)	Dia (in)	Weight (lbs)
610	10	2	4 1/2	15	1 1/4	10	13	10621	24	3/4	4
610-15	10	2	----	15	1 1/4	----	5				