

CYLINDERS




DOUBLE-ACTING - 10-1000 TON

Simplex Double-Acting Cylinders Increase Productivity.



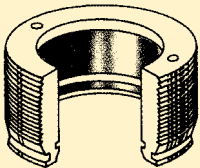
A heavy steel fabricator uses Simplex RDA10012 double acting cylinders to form large sections of I-beam. "The Simplex cylinders and pumps allow us to bend the beams to precise radiuses."

- 31 Models
- Available in custom strokes & sizes.
- Relief valves protect against over pressurizing.
- Standard collar threads on models up to 200 tons.
- Optional custom base & collar threads available on models 300 tons and up.
- Ideal for heavy duty applications.
- Provides force in advance & return cycles.
- High flow quality couplers.
- Plated pistons to resist scoring & corrosion.
- Stop ring for piston blow-out protection.
- Large bearings resist side load.
- Rod wiper protects inner cylinder from dirt.
- Carrying handles included on models RDA556 through RDA15012.

		
Power Pumps pgs. 40-58	Hoses pgs. 66-67	Couplers pg. 64 Manifolds & Fittings pg. 65

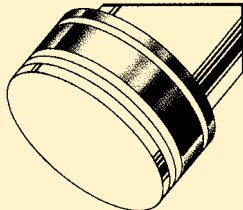
300 THROUGH 1,000 TON MODELS

RETAINING NUT



Thick bronze inlay on the inner diameter of the retaining nut protects the piston rod from scoring and minimizes the effect of damaging side loads.

PISTON FLANGE

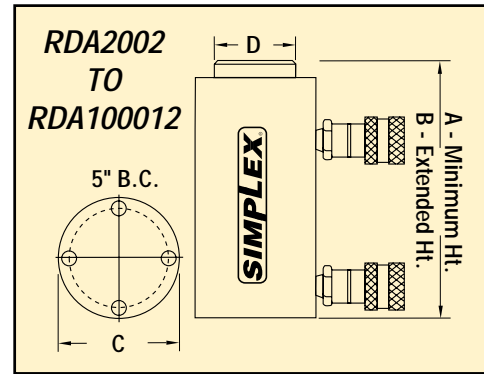
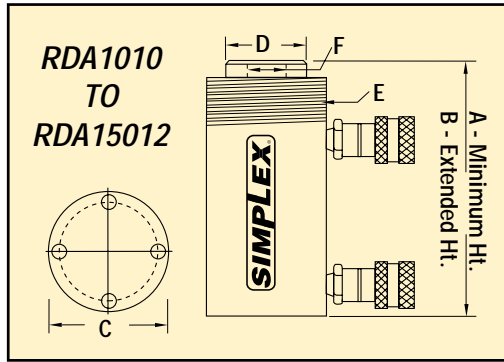


Thick bronze inlay on the piston flange virtually eliminates scoring of cylinder bore while offering the best protection against accidental side loading.



DOUBLE-ACTING - 10-1000 TON

CYLINDERS



Base Mounting Dimensions

Capacity	Thread		Bolt Circle Dia. (mm)
	Size (in)	Depth (in)	
55 Ton	5/8-11	3/4	95
100 Ton	5/8-11	1	108
150 Ton	1-8	1 3/8	128

RDA200 Base & Collar Dimensions

Model Number	Collar Thrds. Size (in)	Collar Thrd. Lgth. (in)	Base Mounting Hole Size (in)	Base Mounting Hole Depth (in)	Bolt Circle Diameter (mm)
RDA200	9 3/4 - 12	1 7/8	1 - 8	1 1/8	127

Double-Acting Cylinders 10 Through 1000 Ton Capacities

Model Number	Push Cap. (tons)	Pull Cap. (tons)	Stroke (mm)	A Min. Ht. (mm)	B Ext. Ht. (mm)	Pull Effect Area (cm ²)	Push Effect Area (cm ²)	Pres. @ Cap. (bar)	Oil Cap. Req'd (cm ³)	C Body O.D. (mm)	D Piston O.D. (mm)	Ram Bore Dia. (mm)	F		E		Wgt. (kg)
													Piston I.D. Thrds. (in)	Piston Thrd. Lgth. (in)	Collar Thrds. (in)	Collar Thrd. Lgth. (in)	
RDA1010	10	4	254	410	664	5,2	14,4	618,2	366	73	35	---	1 - 8	1	2 1/4-14	1 1/16	12,7
RDA308	30	5	206	400	603	19,4	42	638,2	554,5	102	54	---	1 1/2 - 16	1	35/16-12	1 15/16	18,2
RDA3014			368	549	918				1519,4								29,1
RDA556	55	17	156	333	489	21,9	71,3	686,9	735,9	127	79	---	1 - 12	1 1/2	5 - 12	1 3/4	30,9
RDA5512			305	486	791				1507,9								51,8
RDA5524			610	803	1413				3015,8								91,4
RDA1006	100	45	154	352	506	58,6	139,7	637,5	1262	178	102	---	3 1/4 - 12	2 1/2	7 - 12	2 1/2	63,6
RDA10012			305	505	810				2474,9								85
RDA1506	150	67	154	392	546	87,4	214,1	623,8	1966,8	216	127	---	3 1/2 - 12	2 3/4	8 1/2-12	2 3/16	99,1
RDA15012			305	546	851				3686								134,1
RDA2002	200	72	51	291	341	102,7	285	624,7	1081,7	254	152	190	---	---	See Chart Above	See Chart Above	105,4
RDA2006			152	392	545				2786,3								143,2
RDA20013			330	570	900				6031,5								200
RDA3002	335	30	51	337	387	133	457,4	700	1655,4	305	203	241	---	---	---	---	125,9
RDA3006			152	438	591				4949,8								200,4
RDA30012			305	591	895				9915,9								312,7
RDA4002	565	74	51	314	634	319,2	729,1	700	2081,5	368	229	305	---	---	---	---	240,9
RDA4006			152	422	575				6261								304,5
RDA40012			305	581	886				12489,2								400
RDA5002	664	85	51	419	470	349,6	851,7	700	2556,8	406	254	330	---	---	---	---	328,1
RDA5006			152	521	673				7719,7								433,1
RDA50012			305	673	978				15439,4								590,9
RDA6002	600	110	51	381	432	285	791,7	700	2589,6	432	254	318	---	---	---	---	416,8
RDA6006			152	483	635				7736,1								539,9
RDA60012			305	635	940				15472,2								724,9
RDA8002	800	130	51	406	457	335,7	1065,4	668,9	3704,1	470	305	368	---	---	---	---	529,9
RDA8006			152	508	660				11145,2								654,5
RDA80012			305	660	965				22290,4								807,2
RDA10002	1000	75	51	406	457	342,3	1464,6	1464,6	5802,1	533	381	533	---	---	---	---	708,1
RDA10006			152	508	660				17553,7								935,4
RDA100012			305	686	991				35107,4								1276,2

CUSTOM STROKES, BASE & COLLAR MOUNTINGS
AND CAPACITIES UP TO 1,500 TONS AVAILABLE
CONTACT FACTORY