

5 - 150 TON FLAT JACK

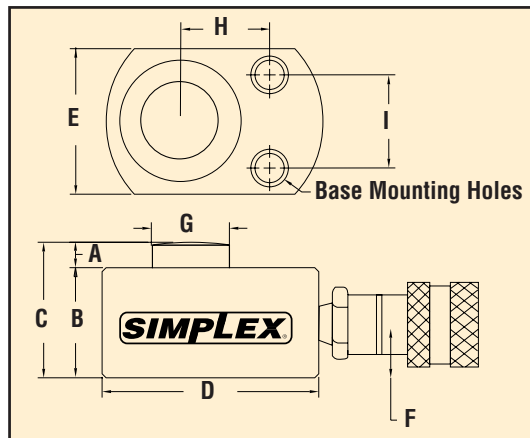
CYLINDERS

Simplex Flat Jacks, Designed To Fit In Tight Spots.



- 8 Models.
- Stop rings for piston blow-out protection.
- Bronze plated domed piston resists side load.
- Plated pistons to resist scoring & corrosion.
- High flow couplers.
- Mounting holes in 5, 10, & 20 ton models.
- Rod wiper protects inner cylinder from dirt.
- Exceeds ANSI/ASME B30.1 safety standards.

Simplex RFS Series are designed specifically for near impossible lifting, clamping or positioning jobs where space is at a premium. Ideal for break loose or start up spreading jobs. These mini-monsters pack up to 150 tons of force into a convenient, portable package.



Mounting Hole Dimensions

Capacity	H (in)	I (in)	Base Mounting Hole Dimensions (in)
5 Ton	1	1 1/8	7/32 through x 23/64 C'BORE (1/4 DEEP)
10 Ton	1 11/32	1 13/32	9/32 through x 27/64 C'BORE (5/16 DEEP)
20 Ton	1 9/16	1 15/16	25/64 through x 19/22 C'BORE (25/64 DEEP)

Spring Return Flat Jacks 5 Through 150 Ton Capacities

Model Number	Cap. (tons)	A Stroke (in)	B Min. Ht. (in)	C Ext. Ht. (in)	Ram Bore Dia. (in)	Effect Area (sq in)	Pres. @ Cap. (psi)	Oil Cap. Req'd (cu in)	D Body Length (in)	E Body Width (in)	F Base To Port C/L (in)	G		Suggested Hand Pump
												Piston O.D. (in)	Wgt. (lbs)	
R50	5	5/8	1 5/8	2 1/4	1 1/8	.99	10,000	.6	2 9/16	1 5/8	3/4	1	2.5	P41/P71
RFS10	10	7/16	1 11/16	2 1/8	1 11/16	2.24	8,940	1.0	3 1/4	2 3/16		3/4	3.3	
RFS20	20		2 1/32	2 15/32	2 3/8	4.43	9,030	1.9	4	3		1 1/8	6.0	
RFS30	30	1/2	2 5/16	2 13/16	2 7/8	6.49	9,250	3.2	4 1/2	3 3/4	15/16	1 3/8	8.5	P42/P72
RFS50	50	5/8	2 5/8	3 1/4	3 1/2	9.62	10,400	6.0	5 1/2	4 1/2		1 3/4	14.3	
RFS75	75		3 1/8	3 3/4	4 1/2	15.90	9,440	10.0	6 1/2	5 1/2		2 1/8	24.5	
RFS100	100		3 3/8	4	5	19.63	10,200	12.3	7	6		2 1/2	31.0	
RFS150	150		9/16	3 15/16	4 1/2	6 1/4	30.66	9,785	17.2	8 1/2		7 1/2	3	