

LOCK NUT - 30-1000 TON

CYLINDERS

Simplex Lock Nut Cylinders Are Used In a Variety of Different Projects.

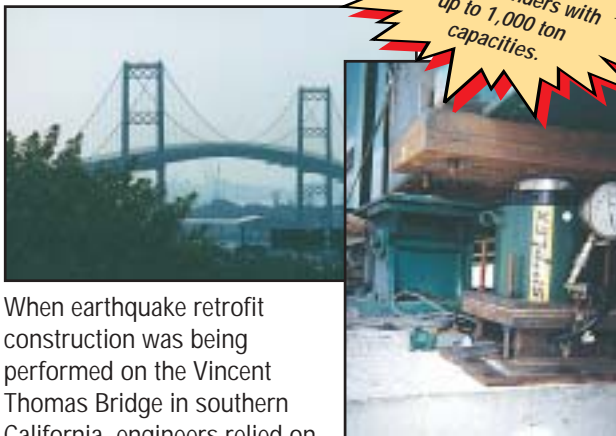


RLN Series lock nut cylinders cut installation time on this power generator by 25%. "The locknut held the load without the extra chore of cribbing." The job was completed even quicker with the use of Simplex SUC-O-MATIC™ power pumps.

- 32 Models
- Stop ring for piston blow-out protection.
- 5° Swivel load caps in 30 through 100 tons to resist side load.
- Optional swivel load caps are available for 150 through 1,000 ton models.
- Domed pistons in 150 through 1,000 tons to resist side load.
- Lock nuts for extended load holding.
- Plated pistons to resist scoring & corrosion.
- Grease fitting for added weather protection.
- High flow couplers.
- Available in custom strokes & capacities.
- Exceeds ANSI/ASME B30.1 safety standards.
- Removable swivel lifting eyes on 100 through 1,000 ton models.

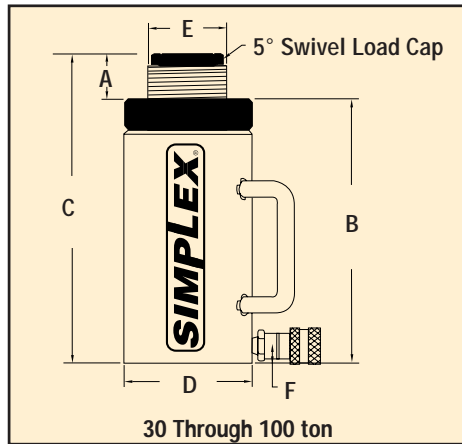
| | | |
|--|---|---|
|  |  |  |
| Power Pumps pgs. 44-62 | Hoses pgs. 70-71 | Couplers pg. 68 Manifolds & Fittings pg. 69 |

Simplex supplies custom cylinders with up to 1,000 ton capacities.

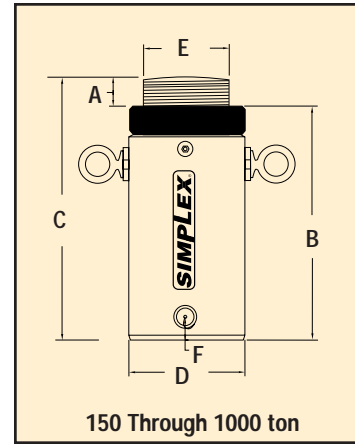


When earthquake retrofit construction was being performed on the Vincent Thomas Bridge in southern California, engineers relied on Simplex lock nut cylinders. "With bronze inlaid bearings, nickel plating and ANSI/ASME B30.1 design, Simplex cylinders were the only choice."





Note: 100 ton models have removable lifting eye bolts in lieu of carrying handles.



Note: Swivel eye bolts are removable.

Load Return Lock Nut Cylinders 30 Through 1000 Ton Capacities

| Model Number | Cap. (tons) | A Stroke (in) | B Min. Ht. (in) | C Ext. Ht. (in) | Ram Bore Dia. (in) | Effect Area (sq in) | Pres. @ Cap. (psi) | Oil Cap. Req'd (cu in) | D Body O.D. (in) | E Piston O.D. (in) | F Base To Port C/L (in) | Weight (lbs) | Suggested Power Pump |
|--------------|-------------|---------------|-----------------|-----------------|--------------------|---------------------|--------------------|------------------------|------------------|--------------------|-------------------------|--------------|--|
| RLN302 | 30 | 2 | 6 3/8 | 8 3/8 | 2 7/8 | 6.49 | 9,240 | 13.0 | 4 | 2 7/16 | 3/4 | 21.0 | Simplex Suc-O-Matic™ equipped Power Pumps are highly recommended to power load return cylinders. Unlike any other power unit, Simplex Suc-O-Matic™ equipped Pumps will fully retract load return cylinders automatically. For more information on the Suc-O-Matic™ feature see page 64. |
| RLN306 | | 6 | 10 3/8 | 16 3/8 | | | | 38.9 | | | | 35.0 | |
| RLN502 | 50 | 2 | 6 3/4 | 8 3/4 | 3 3/4 | 11.05 | 9,054 | 22.1 | 5 | 3 3/16 | 25/32 | 38.0 | |
| RLN506 | | 6 | 10 3/4 | 16 3/4 | | | | 66.2 | | | | 63.0 | |
| RLN5010 | | 10 | 14 3/4 | 24 3/4 | | | | 133.0 | | | | 100.0 | |
| RLN1002 | 100 | 2 | 8 | 10 | 5 | 19.63 | 10,200 | 40.0 | 6 3/8 | 4 5/16 | 1 1/4 | 87.0 | |
| RLN1006 | | 6 | 12 | 18 | | | | 118.0 | | | | 132.0 | |
| RLN10010 | | 10 | 16 | 26 | | | | 196.0 | | | | 202.0 | |
| RLN1502 | 150 | 2 | 8 | 10 | 6 1/4 | 30.68 | 9,780 | 66.4 | 8 1/2 | 5 9/16 | 1 15/16 | 149.0 | |
| RLN1506 | | 6 | 12 1/4 | 18 | | | | 199.0 | | | | 221.0 | |
| RLN15012 | | 12 | 18 | 30 | | | | 398.0 | | | | 311.0 | |
| RLN2002 | 200 | 2 | 9 1/2 | 11 1/2 | 7 1/4 | 41.28 | 9,054 | 88.4 | 10 | 6 9/16 | 2 1/16 | 233.0 | |
| RLN2006 | | 6 | 13 1/2 | 19 1/2 | | | | 265.0 | | | | 332.0 | |
| RLN20012 | | 12 | 19 1/2 | 31 1/2 | | | | 530.0 | | | | 479.0 | |
| RLN3002 | 300 | 2 | 11 1/2 | 13 1/2 | 8 3/4 | 60.13 | 9,978 | 120.0 | 12 | 7 13/16 | 2 7/16 | 357.0 | |
| RLN3006 | | 6 | 15 1/2 | 21 1/2 | | | | 361.0 | | | | 485.0 | |
| RLN30012 | | 12 | 21 1/2 | 33 1/2 | | | | 722.0 | | | | 677.0 | |
| RLN4002 | 400 | 2 | 13 13/16 | 15 13/16 | 10 1/2 | 86.59 | 9,238 | 174.0 | 14 | 9 5/16 | 3 | 520.0 | |
| RLN4006 | | 6 | 17 13/16 | 23 13/16 | | | | 520.0 | | | | 675.0 | |
| RLN40012 | | 12 | 23 13/16 | 25 13/16 | | | | 1040.0 | | | | 905.0 | |
| RLN5002 | 500 | 2 | 14 3/4 | 16 3/4 | 11 1/2 | 103.87 | 9,628 | 208.0 | 16 | 10 5/16 | 3 3/16 | 927.0 | |
| RLN5006 | | 6 | 18 3/4 | 24 3/4 | | | | 623.0 | | | | 1041.0 | |
| RLN50012 | | 12 | 24 3/4 | 36 3/4 | | | | 1246.0 | | | | 1383.0 | |
| RLN6002 | 600 | 2 | 15 5/8 | 17 5/8 | 12 1/2 | 122.79 | 9,778 | 246.0 | 17 1/2 | 11 5/16 | 3 1/2 | 985.0 | |
| RLN6006 | | 6 | 19 5/8 | 25 5/8 | | | | 738.0 | | | | 1232.0 | |
| RLN60012 | | 12 | 27 5/8 | 39 5/8 | | | | 1476.0 | | | | 1603.0 | |
| RLN8002 | 800 | 2 | 16 15/16 | 18 15/16 | 14 1/2 | 165.13 | 9,690 | 330.0 | 18 | 13 5/16 | 4 1/8 | 1148.0 | |
| RLN8006 | | 6 | 21 15/16 | 27 15/16 | | | | 991.0 | | | | 1407.0 | |
| RLN80012 | | 12 | 27 15/16 | 39 15/16 | | | | 1982.0 | | | | 1795.0 | |
| RLN10002 | 1000 | 2 | 19 5/8 | 21 5/8 | 16 | 201.06 | 9,950 | 402.0 | 21 | 14 13/16 | 4 1/4 | 1818.0 | |
| RLN10006 | | 6 | 23 5/8 | 29 5/8 | | | | 1206.0 | | | | 2178.0 | |
| RLN100012 | | 12 | 29 5/8 | 41 5/8 | | | | 2412.0 | | | | 2718.0 | |

CUSTOM STROKES AND CAPACITIES UP TO 1,500 TONS AVAILABLE, CONTACT FACTORY