

# CYLINDERS




# LOCK NUT - 30-1000 TON

Simplex Lock Nut Cylinders Are Used In a Variety of Different Projects.

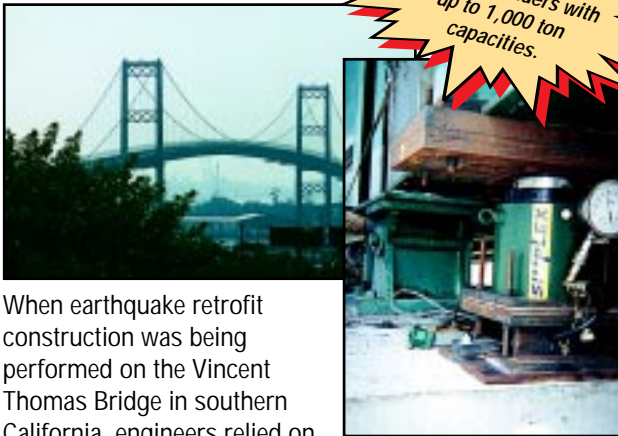


RLN Series lock nut cylinders cut installation time on this power generator by 25%. "The locknut held the load without the extra chore of cribbing." The job was completed even quicker with the use of Simplex SUC-O-MATIC™ power pumps.

- 32 Models
- Stop ring for piston blow-out protection.
- 9° Swivel load caps in 30 through 100 tons to resist side load.
- Optional swivel load caps are available for 150 through 1,000 ton models.
- Domed pistons in 150 through 1,000 tons to resist side load.
- Lock nuts for extended load holding.
- Plated pistons to resist scoring & corrosion.
- Grease fitting for added weather protection.
- High flow quality couplers.
- Available in custom strokes & capacities.
- Exceeds ANSI/ASME B30.1 safety standards.
- Removable swivel lifting eyes on 100 through 1,000 ton models.

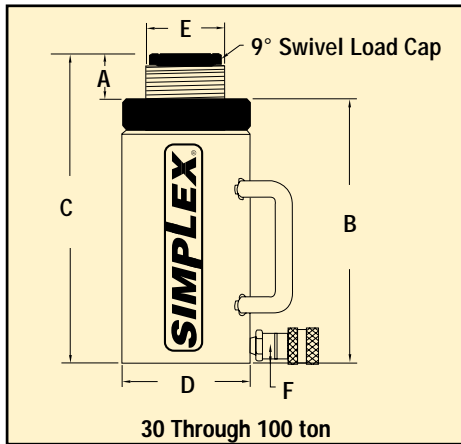
		
Power Pumps pgs. 40-58	Hoses pgs. 66-67	Couplers pg. 64 Manifolds & Fittings pg. 65

Simplex supplies custom cylinders with up to 1,000 ton capacities.

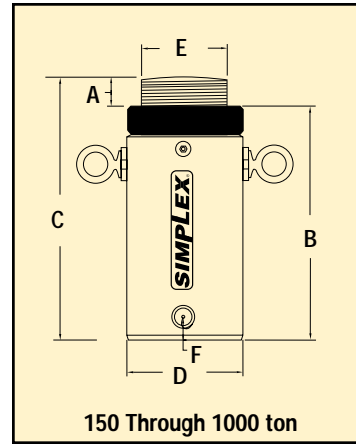


When earthquake retrofit construction was being performed on the Vincent Thomas Bridge in southern California, engineers relied on Simplex lock nut cylinders. "With bronze inlaid bearings, nickel plating and ANSI/ASME B30.1 design, Simplex cylinders were the only choice."





Note: 100 ton models have removable lifting eye bolts in lieu of carrying handles.



Note: Eye bolts are removable.

## Load Return Lock Nut Cylinders 30 Through 1000 Ton Capacities

Model Number	Cap. (tons)	A Stroke (mm)	B Min. Ht. (mm)	C Ext. Ht. (mm)	Ram Bore Dia. (mm)	Effect Area (cm <sup>2</sup> )	Pres. @ Cap. (bar)	Oil Cap. Req'd (cm <sup>3</sup> )	D Body O.D. (mm)	E Piston O.D. (mm)	F Base To Port C/L (mm)	Weight (kg)	Suggested Power Pump
RLN302	30	51	162	213	73	41,9	637,6	213,1	102	62	19	9,5	Simplex Suc-O-Matic™ equipped Power Pumps are highly recommended to power load return cylinders. Unlike any other power unit, Simplex Suc-O-Matic™ equipped Pumps will fully retract load return cylinders automatically.  For more information on the Suc-O-Matic™ feature see pages 40 - 58.
RLN306		152	264	416				637,6				15,9	
RLN502	50	51	171	222	95	71,3	624,7	362,2	133	81	20	17,3	
RLN506		152	273	425				1085				28,6	
RLN5010		254	375	629				2179,9				45,5	
RLN1002	100	51	203	254	127	126,7	700	655,6	162	110	32	39,5	
RLN1006		152	305	457				1934				60	
RLN10010		254	406	660				3212,4				91,8	
RLN1502	150	51	203	254	159	197,9	674,8	1088,3	229	141	49	67,7	
RLN1506		152	305	457				3261,6				100,4	
RLN15012		305	457	762				6523,3				141,3	
RLN2002	200	51	241	470	184	266,3	624,7	1448,9	254	167	52	105,9	
RLN2006		152	343	495				4343,3				150,9	
RLN20012		305	495	800				8686,7				217,7	
RLN3002	300	51	292	343	222	388	688,5	1966,8	305	198	62	162,3	
RLN3006		152	394	546				5916,8				220,4	
RLN30012		305	546	851				11833,6				307,7	
RLN4002	400	51	351	402	267	558,7	637,4	2851,9	356	237	76	236,3	
RLN4006		152	452	605				8522,8				306,8	
RLN40012		305	605	956				17045,6				411,3	
RLN5002	500	51	375	425	292	670,2	664,3	3409,1	406	262	81	421,3	
RLN5006		152	476	629				10211				473,1	
RLN50012		305	629	933				20421,9				628,6	
RLN6002	600	51	397	448	318	792,2	674,8	4031,9	444	287	89	447,7	
RLN6006		152	498	651				12095,8				559,9	
RLN60012		305	702	1006				24916,5				728,6	
RLN8002	800	51	430	481	368	1065,4	668,6	5408,7	457	338	105	521,4	
RLN8006		152	557	710				16422,5				639,5	
RLN80012		305	710	1014				32485				815,8	
RLN10002	1000	51	498	549	406	1297,2	686,5	6588,8	533	376	114	826,3	
RLN10006		152	600	754				19766,3				898,9	
RLN100012		305	752	1057				39532,7				1235,3	

CUSTOM STROKES AND CAPACITIES UP TO 1,500 TONS AVAILABLE, CONTACT FACTORY