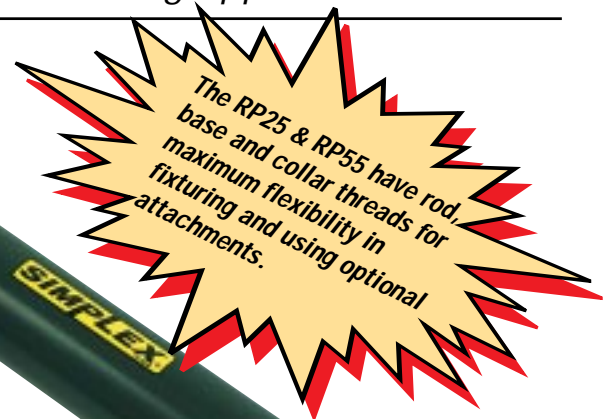


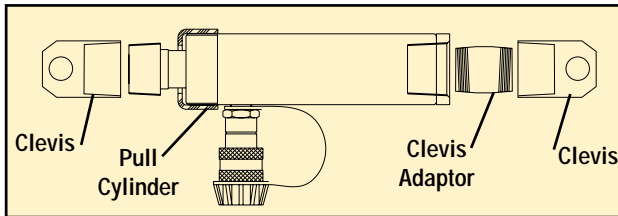
# 2 - 5 TON PULL CYLINDERS

# CYLINDERS

Simplex Pull Cylinders Are Designed For Pulling & Tensioning Applications.



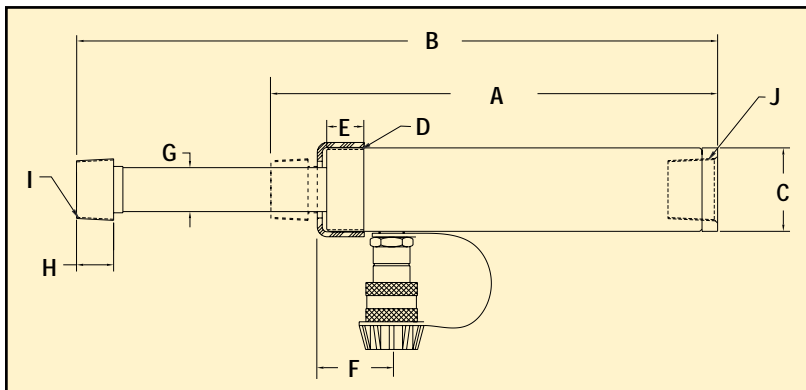
- 2 Models
- High flow quality couplers.
- Designed for pulling & tensioning applications.
- High strength all steel construction.
- Chrome plated piston rods resist corrosion.
- Rod wiper protects against contamination.
- Piston rod automatically extends when pressure is released.
- High strength compression spring provides long cycle life and quick piston extension.



**Clevis Ends**

Model Number	A (mm)	B (mm)	C (mm)	D (mm)	E (mm)	F (mm)
RPC25	130	110	33	51	19	25
RPC55	152	127	38	64	22	38

Base mounting attachment for RPC25 order: 43632.  
Base mounting attachment for RPC55 order: MK-8.



## Hydraulic Pull Cylinders

Model Number	Cap. (tons)	Stroke (mm)	A Min. Ht. (mm)	B Ext. Ht. (mm)	C O.D. (mm)	D Collar Thrd. (in)	E Collar Length (in)	F Cyl. to Port (mm)	G Piston Dia. (mm)	H Piston Adpt. (mm)	I NPTF Thrd. (in)	J NPTF Thrd. (in)	Oil Cap. (cm <sup>3</sup> )	Pres. @ Cap. (bar)	Wgt. (kg)
RP25	2	127	243	370	44	1 1/2-16	1	43	19	25	3/4-14	3/4-14	49,9	500,2	1,8
RP55	5	140	289	441	57	2 1/4-14	1	43	30	35	1 1/4-11 1/2	1 1/4-11 1/2	101,6	610,7	5

P42 is the suggested hand pump.