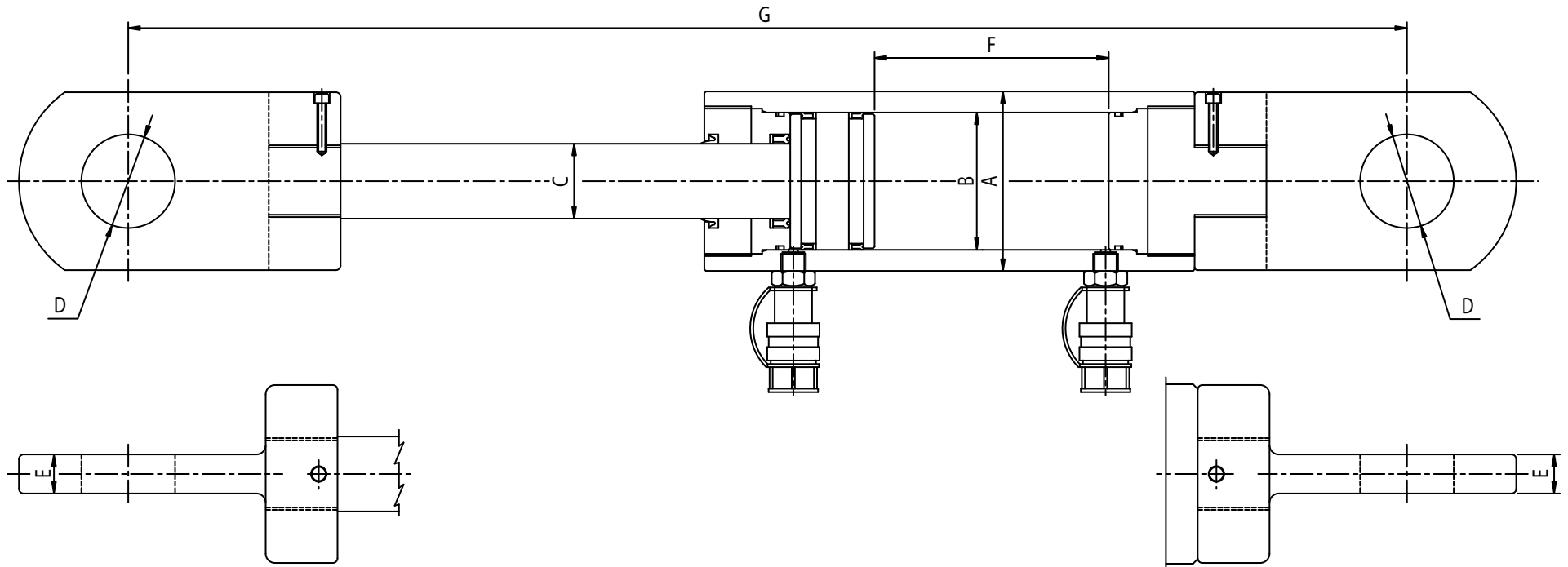




10, 30, 50 & 100 TON PULL PACK CYLINDERS DOUBLE ACTING



Model Number	Capacity (Tons)	Effective Area (Cu. In.)	Dim. A (in)	Dim. B (in)	Dim. C (in)	Dim. D (in)	Dim. E (in)	Dim. F (in)	Dim. G (in)	Weight (lbs)
RDP106	10	2.4	3.3	2.4	1.6	1.2	0.8	6	27.1	30.8
RDP306	30	6.6	4.5	3.5	1.9	2.4	1	6	32.3	63.8
RDP506	50	11.7	6.1	4.5	2.4	2.8	1.8	6	31.2	99
RDP1006	100	22.2	7.9	5.9	2.6	3.2	2	6	35.1	193.6

Simplex Div. Templeton, Kenly & Co., Inc.

Toll Free: (800) 323-9114 - Phone: (708)865-1500 - Fax: (708) 865-0894 - www.tksimplex.com