

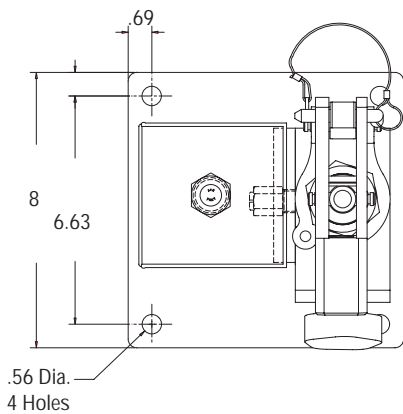
Place Them Into Hydraulic Systems, Or Use Them As Standby Or Back-Up Pumps.

For those special applications that require **tight mounting space, backup manual power or lower pressure & high flows**, these special hand pumps are what you've been looking for. Ideal for fixed applications when pumps need to be bolted in place. The P-160A Series fits in an 8" x 8" space, yet still delivers 148 cu in. of oil.

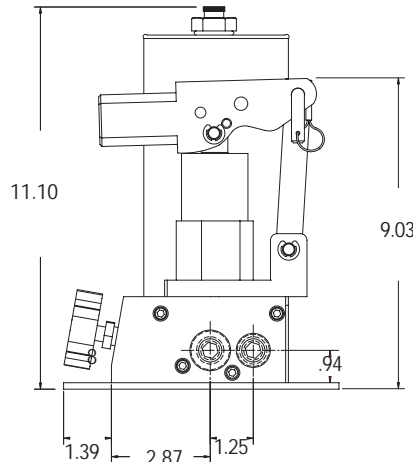
The P-1000A Series can be tapped into existing system reservoirs. **All metal construction**, plated pistons, light weight and high flow make these pumps the right choice for long life and trouble free duty. **All pumps have 3/8" NPTF ports.**

Special Application Hand Pumps

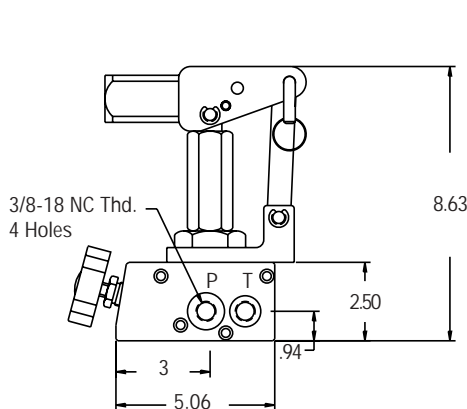
Model Number	Usable Reservoir Capacity (cu. in.)	Operating Pressure (PSI)	Volume/Stroke (cu. in.)	Maximum Handle Effort (lbs)	Weight (lbs)
P1603A	148	12,000	.30	119	20
P1604A	148	6,500	.53	116	20
P1606A	148	3,000	1.33	119	20
P10003A	----	12,000	.30	119	9
P10004A	----	6,500	.53	116	9
P10006A	----	3,000	1.33	119	9
P10008A	----	1,000	2.11	106	11
P100012A	----	750	4.56	79	11



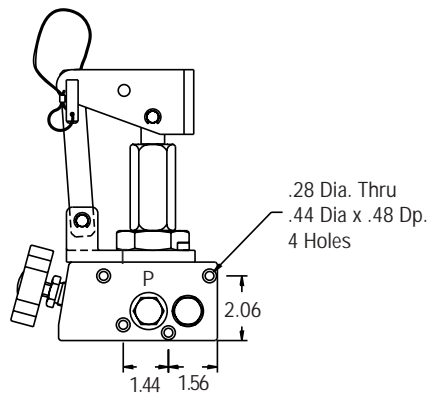
P160A Series



P1604A



P1000A Series



P10003A

