

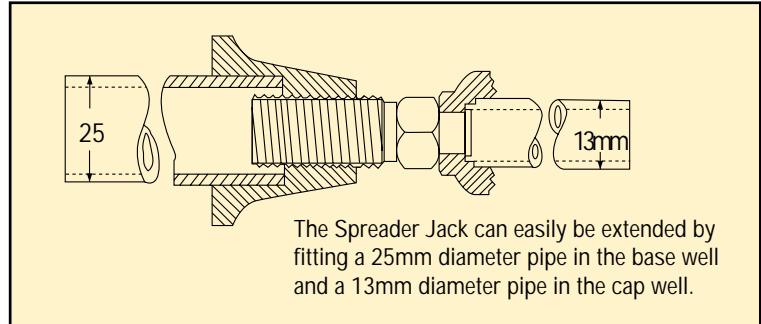
## SPREADER JACK



Model 3A

The model 3A Spreader Jack is used when working in close quarters.

The Spreader Jack has a closed height of only 76mm, with 25mm stroke for adjustments, yet it **can support 3 tons**. The serrated cap rotates to prevent twist out, but does not pivot. The Spreader Jack may also be used as a planer jack.



## PLANER JACKS



Four different models are available, with capacities ranging from 2 to 8 tons. They are used in leveling work on plane beds, millers and other machinery.

Screw's operation provides infinite height adjustments for exact leveling. The side-locking screw keeps the jack extended and **prevents lowering due to vibration**. The ball and socket cap swivels to center load forces. The notched base fastens easily to machine beds.

Model Number	Sustaining Cap. (tons)	Minimum Height (mm)	Operable Rise (mm)	A Across Flats (mm)	Weight (kg)
1P	2	70	25	60	0,7
2P	4	95	38	79	1,4
3P	6	133	57	102	2,7
4P	8	190	102	137	5,5