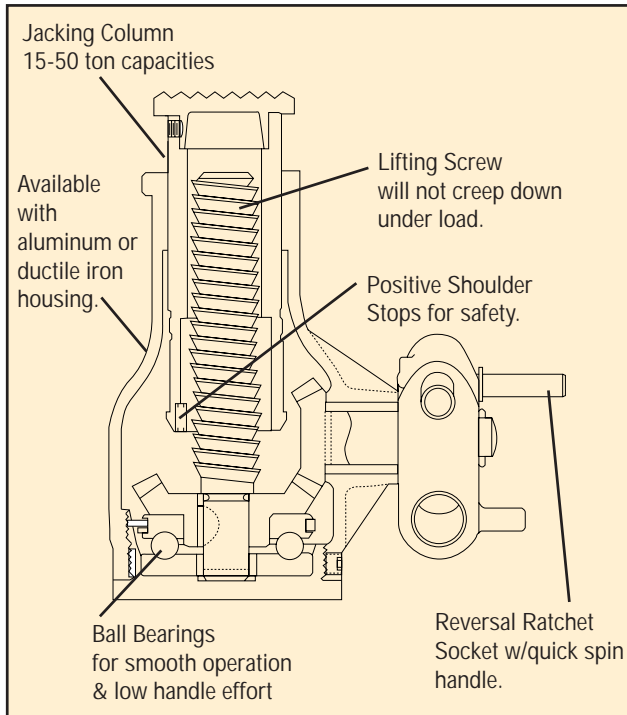


Steel Fabricators Use Simplex Superjacks In Rough Environments.



- 8 Models.
- Holds the load indefinitely without creep down.
- Positive stop.
- High capacities.
- Low handle efforts.
- Steel lever bars sold separately.



Outdoor use and weld splatter can shorten the life of standard jacks. "We chose Simplex Superjacks for the bullet proof construction and holding power." They provide trouble-free service in the roughest applications.

Superjacks

Model Number	Cap. (tons)	Min. Height (in.)	Stroke (in.)	Handle Effort Per Ton (lbs.)	Base Dia. (in)	Weight (lbs)	Steel Lever Bars			
							Order Number	Length (in)	Dia. (in)	Weight (lbs)
A1510C	15	10 1/4	5	9	5 1/2	28	10640	36	1	8
2510C										
A2510C	25	15	9	6	5 1/2	43				
A2515C										
3510D	35	10 1/4	5	5	5 1/2	44				
A3510D										
5010B	50	10 5/16	4	4	7 1/4	80	10660	56	1 1/8	16
A5010B										