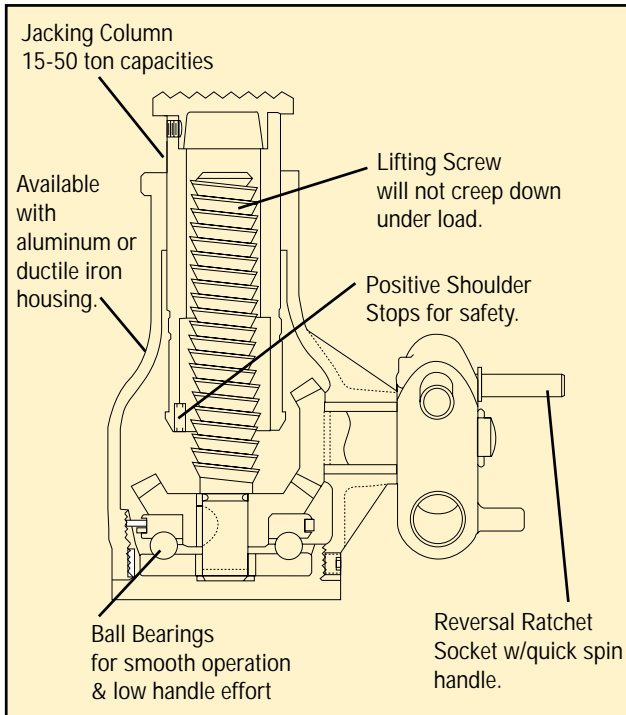


Steel Fabricators Use Simplex Superjacks In Rough Environments.



- 8 Models.
- Holds the load indefinitely without creep down.
- Positive stop.
- High capacities.
- Low handle efforts.
- Steel lever bars sold separately.



Outdoor use and weld splatter can shorten the life of standard jacks. "We chose Simplex Superjacks for the bullet proof construction and holding power." They provide trouble-free service in the roughest applications.

Superjacks

Model Number	Cap. (tons)	Min. Height (mm)	Stroke (mm)	Handle Effort Per Ton (kg)	Base Dia. (mm)	Weight (kg)	Steel Lever Bars			
							Order Number	Length (mm)	Dia. (mm)	Weight (kg)
A1510C	15	260	127	4,1	140	12,7	10640	914	25	3,6
2510C										
A2510C	25	381	229	2,7	140	15,5				
A2515C						19,5				
3510D	35	260	127	2,3	140	20,0				
A3510D						15,5				
5010B	50	262	102	1,8	184	36,4	10660	1422	22	7,3
A5010B						27,7				