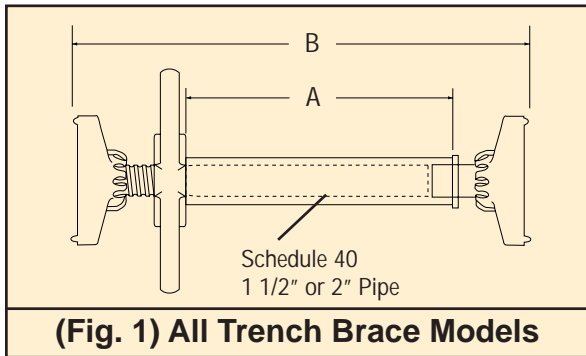




Simplex Trench Braces provide efficient, economical protection against cave-ins and costly redigging in construction and utility maintenance. Braces extend by turning the lever nut handle. The ball socket joints tilt for **added safety on angular mounting**. Holes on each end facilitate mounting to wood members.



Specifying Simplex Trench Braces

Simplex trench braces are designed for use with standard schedule 40 pipe. Screw end models SE-12, SE-16 and butt end model BE-25 use **1 1/2" diameter pipe**. Model SE-18 and butt end BE-35 use **2" diameter pipe**. Pipe should be cut to length based on the chart below and drawing in Fig. 1.

Model Number	Adjust Range (in)	Pipe Size (in)	Butt End	"A" Min. Pipe Length (in)	"B" Min. Closed Ht. (in)
SE-12	7	1 1/2	BE-25	12	18
SE-16	10			16	22
SE-18			2	BE-35	18

Dimensions assume the use of both screw & butt ends together as an assembly.

Quick Reference Timber/Trench Brace Equivalency Tables*

The following charts are based on OSHA Timber/Trench Brace Charts* which do not consider transverse loading conditions.

Soil Type A $P_a = 25 \times H + 72$ psf (2ft. Surcharge)

Trench Depth (ft)	Horizontal Spacing (ft)	Cross Brace			Vertical Spacing (ft)	Wales		Uprights (in)			
		Width of Trench (ft)				Size (in)	Vertical Spacing (ft)	Max. Allowable Horizontal Spacing (Ft)			
		up to 4	up to 6	up to 8				4'	5'	6'	8'
5 to 10	up to 6	SE12 SE16	SE12 SE16	SE18	4	8 x 8	4			2"x6"	
	up to 8	SE12 SE16	SE12 SE16	SE18							2"x6"
	up to 10	SE18	SE18	SE18					2"x6"		
	up to 12	SE18	SE18						2"x6"		
10 to 15	up to 6	SE12 SE16	SE12 SE16	SE18					3"x8"		
	up to 8	SE18	SE18		8 x 8	4	2"x6"				

Soil Type B $P_a = 45 \times H + 72$ psf (2ft. Surcharge)

Trench Depth (ft)	Horizontal Spacing (ft)	Cross Brace		Vertical Spacing (ft)	Wales		Uprights (in)			
		Width of Trench (ft)			Size (in)	Vertical Spacing (ft)	Max. Allowable Horizontal Spacing (Ft)			
		up to 4	up to 6				3'			
5 to 10	up to 6	SE-18	SE-18	5	6 x 8	5	2"x6"			

* Refer to OSHA Standard, 29CFR 1926, subpart P-Excavations (tables C-1.1 & C-1.2).