

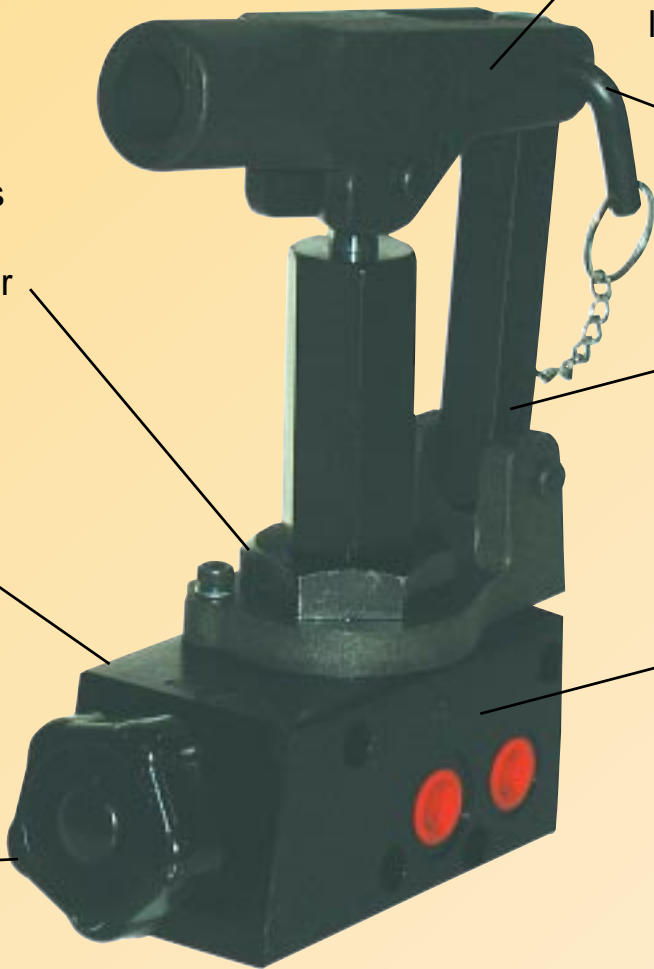


P1000 SERIES HAND PUMPS

The New Simplex P1000 Series hand pump is the next generation of Simplex specialty hand pumps. Many new features make these pumps the perfect OEM hydraulic pump.



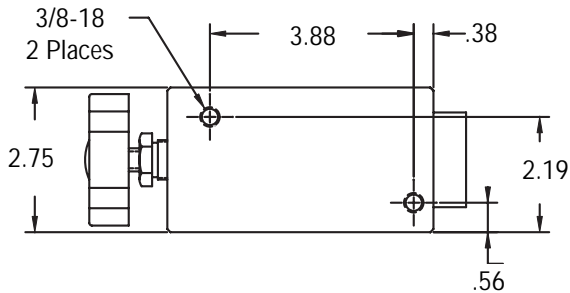
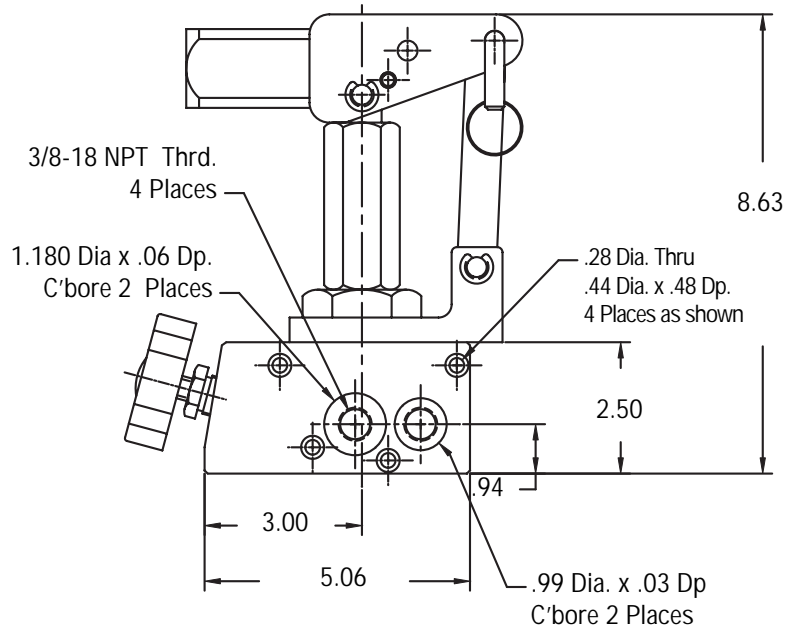
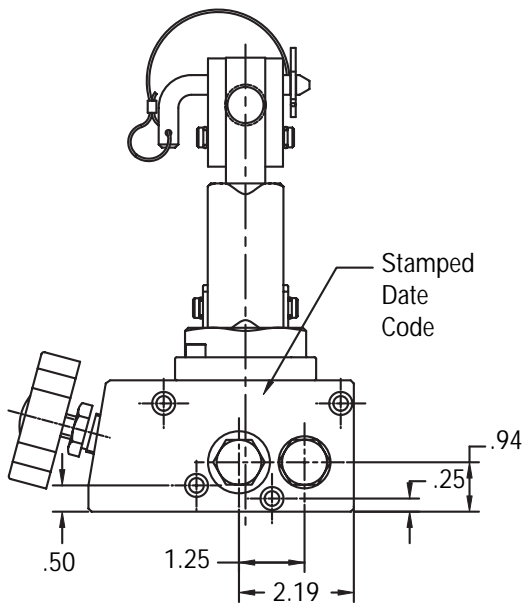
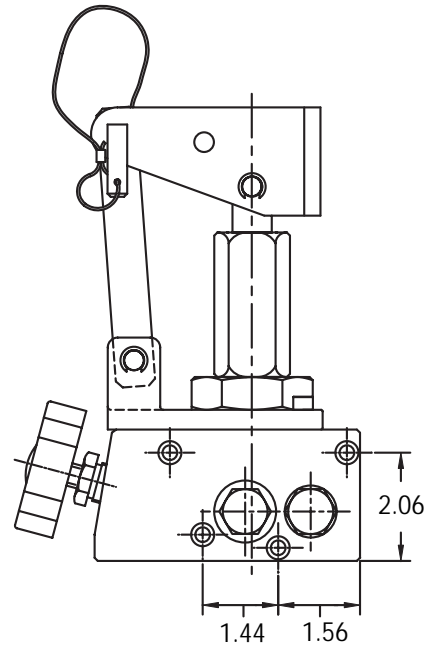
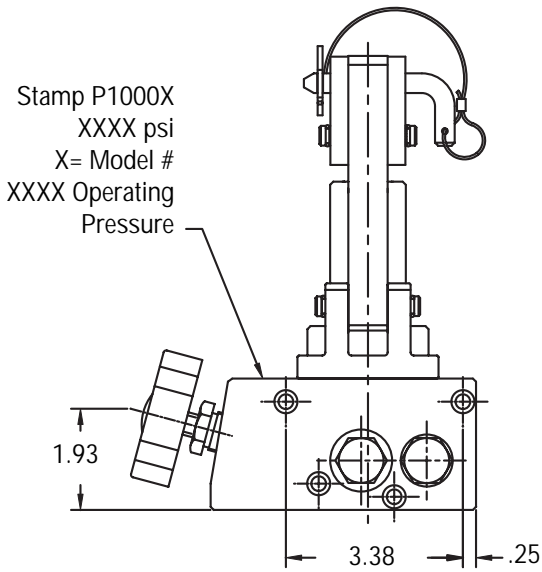
- **Most Versatile.** The P1000 Series swivels 360 degrees in 90 degree increments for easier access to pumping unit.
- **The Lightest.** With ranges from 9.5 lbs. to 10.5 lbs.
- **Large Release Knob.** Allows user to release pressure by hand.
- **The Fastest.** 53% more flow per stroke means less work.
- **The Easiest.** Dual pivot allows for low handle force.
- **The Toughest.** Hard anodized housing & internal components stand up to the harshest environments.
- **Wide Variety.** 5 different types to choose from. Operating pressures ranging from 750 psi to 12,000 psi.
- **The aluminum block will allow for the pumping of many different types of fluids. Contact factory for details.**



HYDRAULIC & MECHANICAL POWER

2525 Gardner Road • Broadview, IL 60155 • Phone: (708) 865-1500 • Fax: (708) 865-0894 • www.tksimplex.com

SIMPLEX P1000 SERIES PUMPS



Model Number	Piston Diameter (in)	Volume Per Stroke (cu.in)	Operating Pressure (psi)	Weight (lbs)	Seal Kit Number
P10003A	3/8	.30	12,000	9.5	54437
P10004A	1/2	.53	6,500	9.5	54438
P10006A	3/4	1.33	3,000	9.5	54439
P10008A	1	2.11	1,000	11	54440
P100012A	1 1/2	4.56	750	11	54441